



Listed 3L32 - Industrial Control Equipment
100kA Short Circuit Current Rating
File Number E136219



EN60947 - 4 - 3
IP 20
See CE Declaration of Conformity



Part 15 Subpart B
Class A Device



See RoHS Certificate of Compliance

DECLARATION OF CONFORMITY

MicroFUSION Series SCR Power Controller

Control Concepts, Inc.
18760 Lake Drive East
Chanhassen, MN 55317 USA

Declares that the following product:

Designation: MicroFUSION Series Power Controller
Model Numbers: Model uF, followed by 1 or 3, followed by HX or SX, followed by T or D or 4DY or 6DY or 64Y or 6ID, followed by A through Z, followed by any number or letter, followed by numbers -01 through -400, followed by "-" and numbers and/or letters
Classification: Solid State Power Controller, Class I, CE Pollution Degree II
Rated Voltage: 24 - 690 VAC
Rated Frequency: 45 - 65 Hz

Meets the essential requirements of the following European Union Directive(s) using the relevant section(s) of the normalized standards and related documents shown:

EN 60947 - 4 - 3: 2014 Low-voltage switchgear and controlgear

IEC 60947- 4 - 1: 2012

-Clause 9.4.2 Immunity referencing IEC 60947-1: 2007/A1: 2010/A2: 2014, Clause 8.4.1, Table 23

-IEC 61000- 4 - 2: 2008

-IEC 61000- 4 - 3: 2006/A1: 2007/A2: 2010

-IEC 61000- 4 - 4: 2004/A1:2010

-IEC 61000- 4 - 5: 2005/AC1:2009

-IEC 61000- 4 - 6: 2013

-IEC 61000- 4 - 8: 2009

-IEC 61000- 4 - 11: 2004

IEC 60947 - 4 - 1: 2012, Clause 9.4.3 Emission

Referencing IEC 60947-1: 2007/A1: 2010/A2: 2014, Clause 7.3.3

EUROPEAN STANDARD EN 55011: 2009 + A1: 2010

FCC Part 15 Subpart B

Note 1: All power terminals must be populated as to keep the controller touch safe to comply with EN 60947-4-3.

Note 2: Controller must be mounted in a shielded enclosure to comply with EMC Directive 2004/108/EC.

Note 3: Controller must have appropriate line and control power filter to comply with EN61000-6-2.

Third party conformance testing conducted by TÜV America.

TÜV SÜD America Inc.

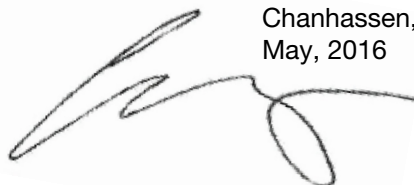
Suite 104

1774 Old Highway 8 NW

New Brighton, MN 55112 - 1891

Name of Authorized Representative: Cory Watkins
Title of Authorized Representative: President

Place of Issue: Chanhassen, Minnesota, USA
Date of Issue: May, 2016



Signature of Authorized Representative

5 / 10 / 2016

Date

External EMI filters must be used in conjunction with the FUSION series power controllers to maintain CE immunity* approval. The following filters were used during the immunity testing.

Universal input power:

Schaffner filter
P/N: FN 2030-3-06

Line input power:

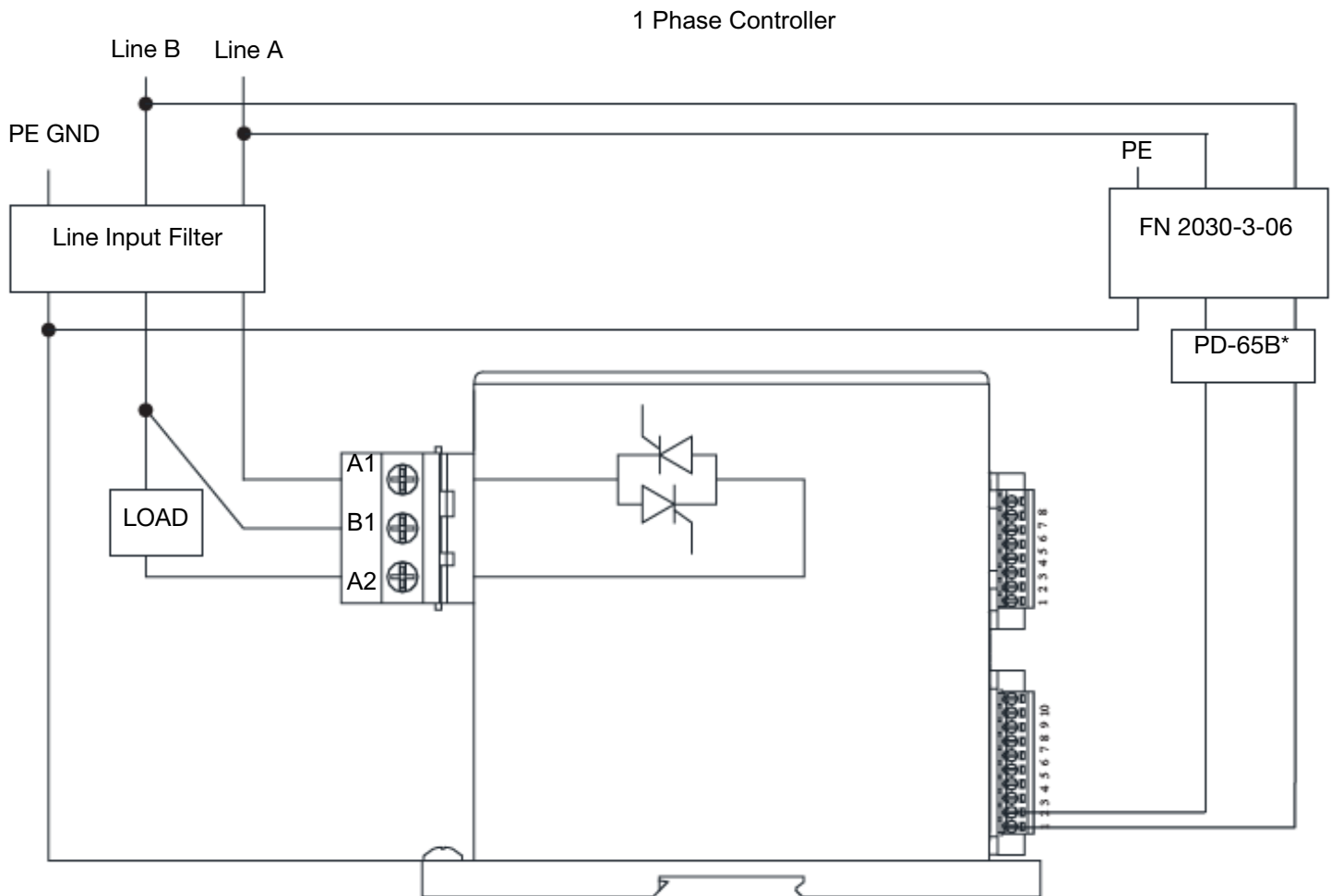
Schaffner filter
P/N: FN 3270H-35-33

The Schaffner filter for universal input power, or it's equivalent, may be used as listed above. The line input power filter however, will need to be sized accordingly for your load. Please contact Schaffner EMC Inc. for help finding the appropriate filter.

Schaffner EMC Inc.
52 Mayfield Avenue | Edison, New Jersey 08837 / USA
T 1-800-367-5566 | T 732-225-9533 | F 732-225-4789
usasales@schaffner.com | <http://www.schaffner.com/us>

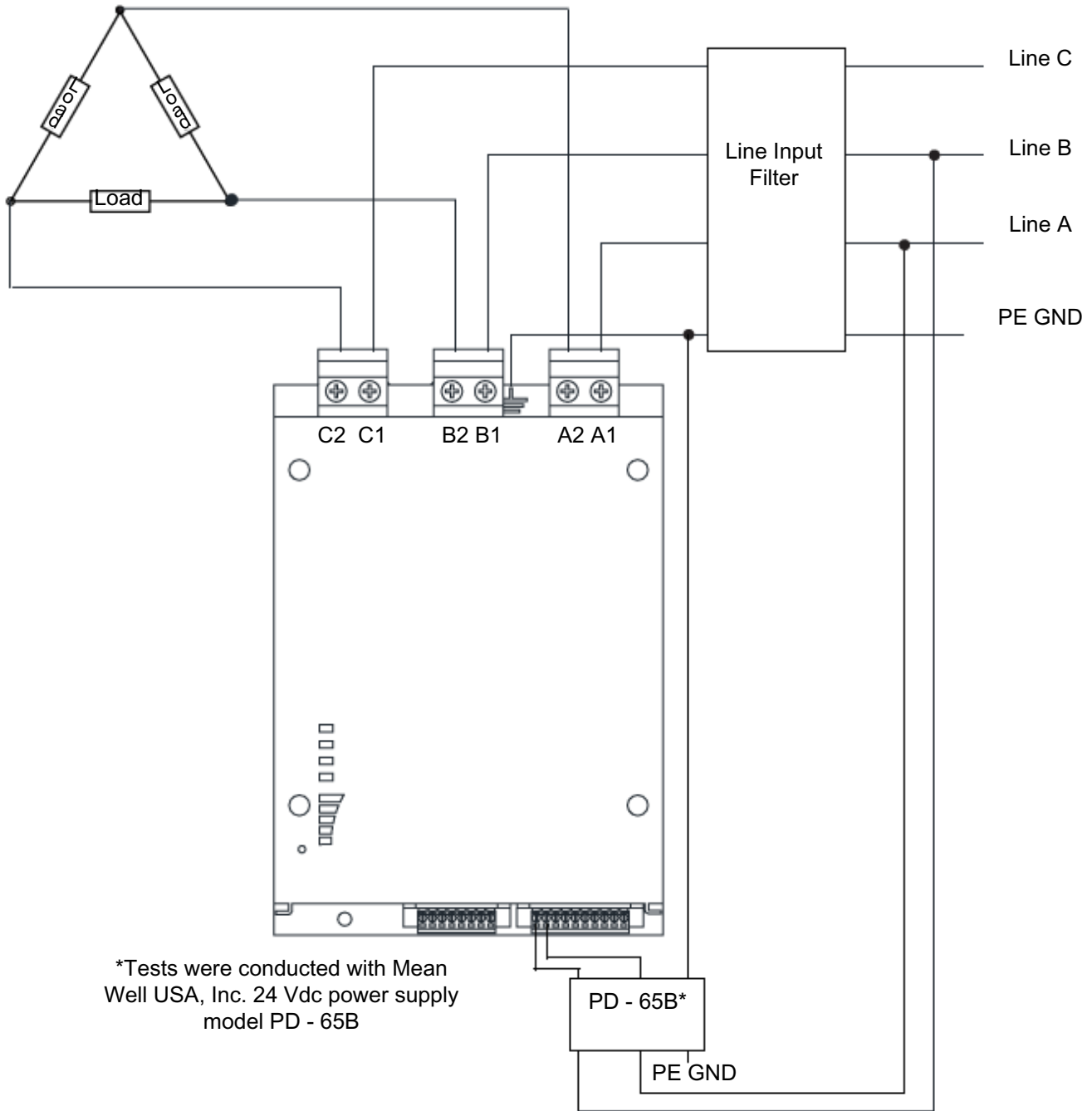
*No filtering is required for emissions.

Wire filters as shown below:



*Tests were conducted with Mean Well USA, Inc. 24 Vdc Power Supply model PD - 65B

3 Phase Controller



Other wire diagrams are available, for models not listed here, by contacting Control Concepts, Inc.

ATTENTION

This product has been designed for class A equipment. Use of this product in domestic environments may cause radio interference, in which case the user may be required to employ additional mitigation methods.

NOTICE

This product has been designed for environment A. Use of this product in environment B may cause unwanted electromagnetic disturbances, in which case the user may be required to take adequate mitigation measures.