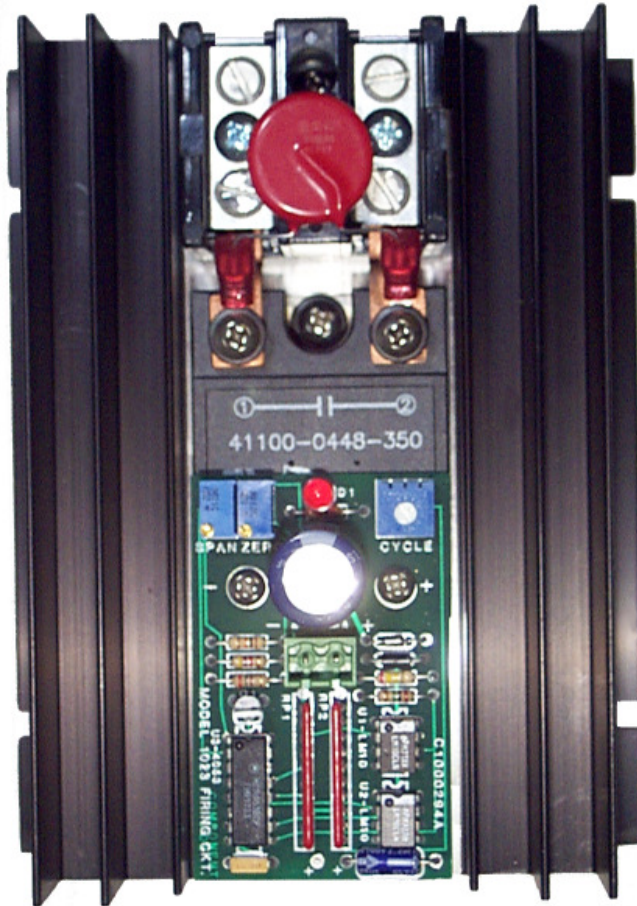




Single-Phase,
Time Proportioning,
Zero-Cross
SCR Controller



Description

The model 1023 is a single phase, time proportioning, zero-cross power controller.

The control circuit is powered from the mA command signal.

The percentage of 'ON' time to 'OFF' time is linearly proportional to the mA current command signal.

The cycle time range is adjustable from 1 to 10 seconds.

The command signal is electrically isolated from the line and load voltage.

Applications

- Valve or Solenoid Control
- Contactor Control
- Transient Free Switching



LISTED 3L32
INDUSTRIAL
CONTROL
EQUIPMENT
E136219



CERTIFIED
BY UL TO
CANADIAN
NATIONAL
STANDARDS

Dimensions

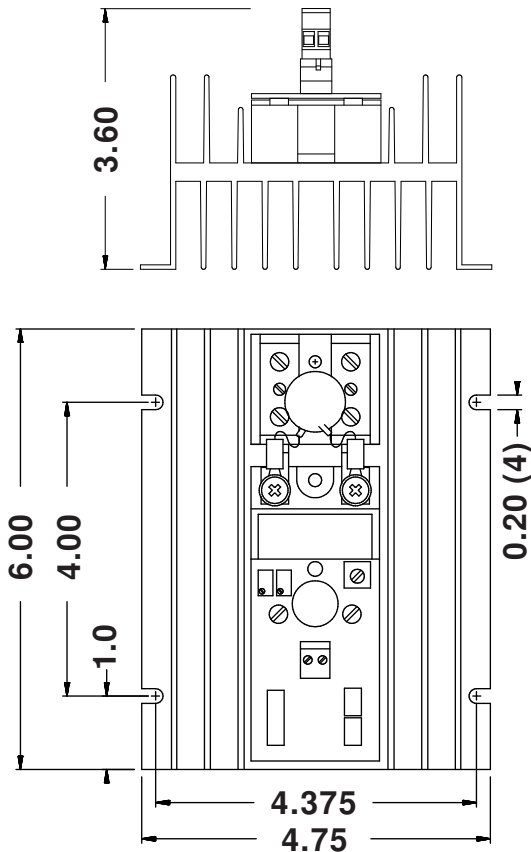


Figure 1. Dimensions: 10 - 40 Amp controller.

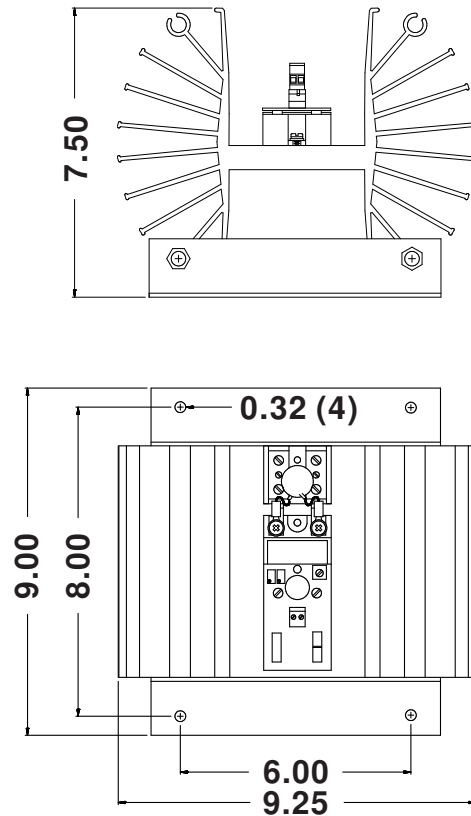


Figure 2. Dimensions: 70 Amp controller.

Ordering Information

1023 - (xx-xx) - (x/xx) - (FC)

1023 = Single Phase, time proportioning Zero-Cross controller

(xx-xx)

12-10 = 120V, 10 A	48-10 = 480V, 10 A
12-20 = 120V, 20 A	48-20 = 480V, 20 A
12-30 = 120V, 30 A	48-30 = 480V, 30 A
12-40 = 120V, 40 A	48-40 = 480V, 40 A
12-70 = 120V, 70 A	48-70 = 480V, 70 A
24-10 = 240V, 10 A	57-10 = 575V, 10 A
24-20 = 240V, 20 A	57-20 = 575V, 20 A
24-30 = 240V, 30 A	57-30 = 575V, 30 A
24-40 = 240V, 40 A	57-40 = 575V, 40 A
24-70 = 240V, 70 A	57-70 = 575V, 70 A

(x/xx) = Command signal current range:
4/12mA, 4/20mA or 12/20mA
(Other command signals may be available,
contact factory for information.)

(FC) = (Optional) Stand-Alone Firing Circuit

About Control Concepts

Control Concepts, Inc., offers a wide variety of power controllers designed for your toughest process control applications.

Single and Three Phase controllers are available with current ratings from 10 to 1000 amps.

In addition, Control Concepts, Inc. offers custom SCR power controllers to meet your unique requirements.

Control Concepts, Inc. has the expertise and the products to meet your specific industrial control needs. Call us today for answers that work. **(800)-765-2799**

Manufactured by



TEL: (952) 474-6200 (800) 795-2799
FAX: (952) 474-6070 www.ccipower.com

18760 Lake Drive East
Chanhassen, MN 55317, USA