



ATOM

Single Phase EtherCAT

16 - 32 Amp

QUICK START GUIDE



WARNING: Ensure all high voltage is off and disconnected before wiring the controller. Always wire in accordance with local codes.

OPERATING SEQUENCE

1. Install the controller in the desired location with appropriate clearance as shown in the *Panel Layout*.
2. Attach and wire the 6-pin connector as shown in the *Connector* section.
3. Wire Line and Load connections as shown in the *Wiring Diagram*.
4. Apply 24 Vdc power to the command connector pins 5 and 6 to initiate controller startup.
The Power (PWR) LED will be red when the unit is powered on and no AC line voltage is present.
5. Apply Line Voltage.
The Power (PWR) LED will be green when the unit is powered on and AC line voltage is present.
6. Place the controller in RUN state by setting Digital Run Enable [SP-25] to RUN (1)
7. Apply a Digital or Fieldbus Setpoint command greater than zero¹ to enable controller output.
8. Check controller LEDs for proper controller operation.
The Status (STAT) LED will be green when the unit is outputting. The brightness of the Status LED is proportional to the setpoint command.

If the controller is not outputting as expected refer to the *LED Indicators* and *Troubleshooting* section for help.

¹ When in SSR firing modes the setpoint command must be 100% to enable output.

CONTACT / ORDERING INFORMATION

TEL: (952) 474 - 6200
FAX: (952) 474 - 6070

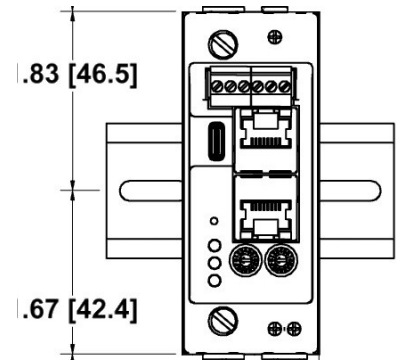
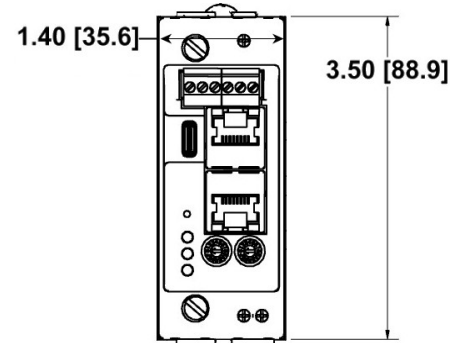
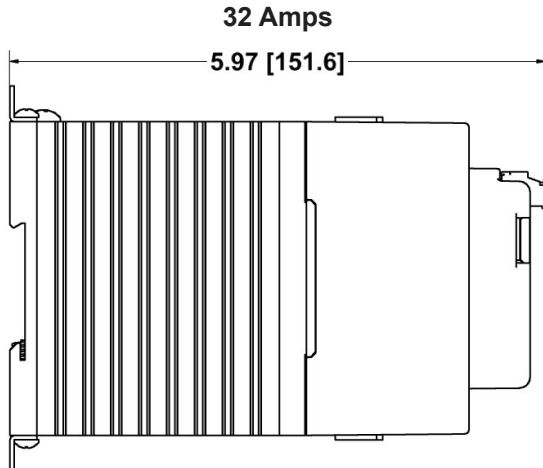
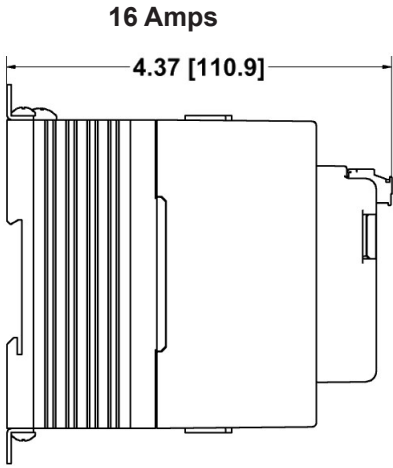
(800) 765 - 2799
www.ccipower.com

8077 Century Blvd, Chanhassen, MN 55317, USA



PANEL LAYOUT

Dimensions:
Inches [mm]



DIN Rail Mounting

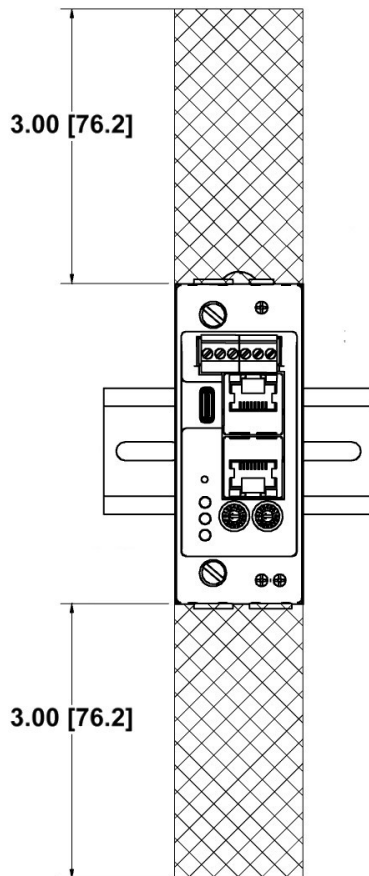
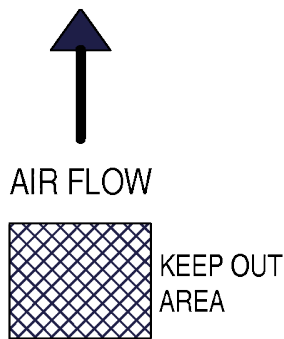
***** IMPORTANT *****
Do not remove DIN spring screw.
To remove or install on a DIN rail, push the controller up and tilt out.
Do not install the included mounting tabs if using a DIN rail.

Mounting Clearances

Mount controllers vertically

The top and bottom of the controller must have a minimum of 3.0" [76.2mm] free of obstruction as measured from the edge of the heatsink.

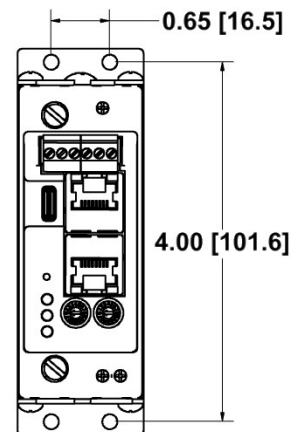
Cross-hatched areas designate clearances for proper air circulation and cooling.



Panel Mounting

When installing without DIN rail, install the included mounting tabs on the controller heatsink and use #6 or M3.5 screws with star washers to attach to the panel.

* Panel screws and washers not included



WIRING DIAGRAM

For line and load connections, use copper conductors rated 75° C minimum.

A ground wire is required for proper operation.

Only 1 conductor allowed per terminal.

A.1, A.2

- Use #2 - 14 AWG wire
- Bare wire strip length: 0.65" minimum

B.1

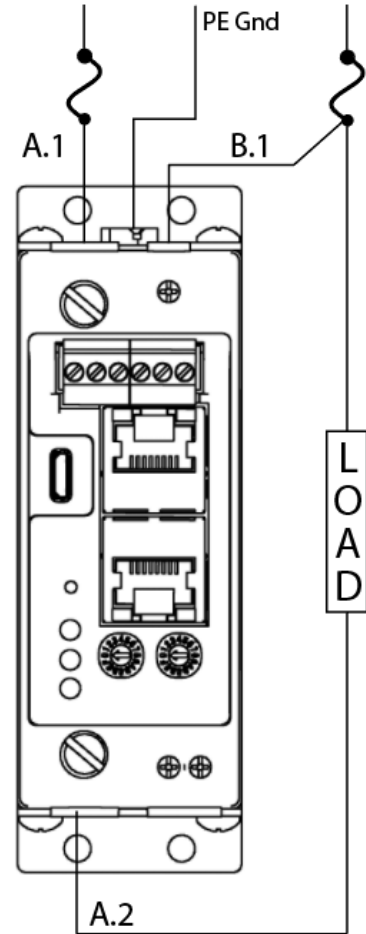
- Use #14 - 22 AWG wire
- Bare wire strip length: 0.23" minimum
- If using a ferrule, insertion depth is 0.50"
- Maximum current of 0.2 mA at 480 VAC through the B1 reference connection.

PE Gnd

- Wire in accordance to local electrical codes



Wire controller to conform with the National Electric Code (NEC) and/or all local wiring codes.



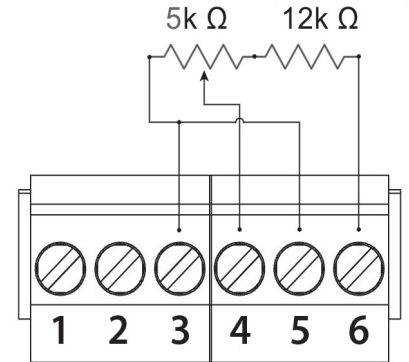
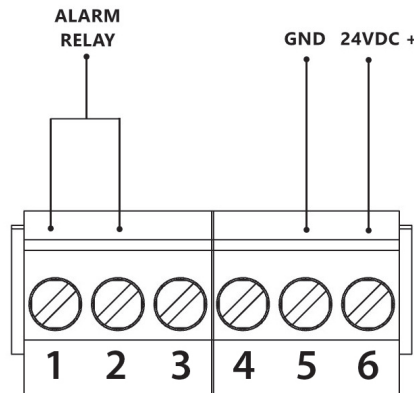
Tightening Torque - A1 / A2 / B1

	Wire Size (AWG)	Torque
A1, A2	10 - 14	35 Inch lbs [3.9 Nm]
	8	40 Inch lbs [4.5 Nm]
	4 - 6	45 Inch lbs [5.0 Nm]
	2 - 3	50 Inch lbs [5.6 Nm]
B1	14 - 22	2.6 Inch lbs [0.3 Nm]

CONNECTOR

Command Connector

Pin	
1, 2	Alarm Relay
3	unused
4	unused
5	Common/GND
6	24VDC +



POT Kit: (purchased accessory)

The POT kit (SPKA-5K) adds the ability to wire an analog setpoint input to terminals 3 and 4.

Wire the kit as shown above.

Connector wiring 16-26 AWG min/max.
3.0 Inch lbs [0.34 Nm] maximum torque.

LED INDICATORS

PWR LED (AC Line Power)	
Off	No 24 VDC to controller
Green	AC Line Lock, in sync
Orange	Phase Loss, AC Line voltage present but too low, or trying to achieve AC Line lock status
Red	Line Loss, No AC Line voltage detected

STAT LED (Status)	
Off	None of the states below are active
Green	In RUN State, Intensity indication of output duty cycle % > 0
Red	FAULT State (Inhibit Alarm is active)
Orange	Active Warning Alarm or controller in power-up initialization.
Flashing Orange	Partial Load Fault Alarm
Flashing Red	Error during Initialization, Controller in 'Waiting for Enter' state.
Alternating Red/ Green	In Flash Programming mode

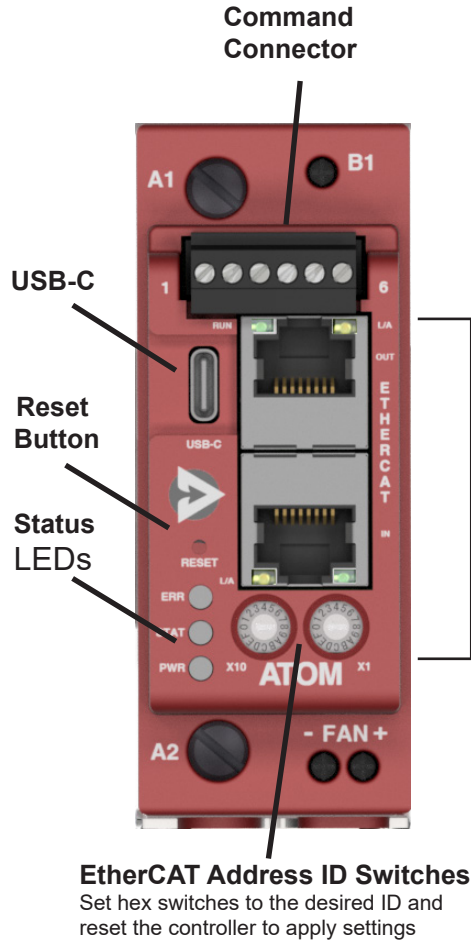
ERR LED (EtherCAT Error)	
Off	OK
Red	EtherCAT Error

TROUBLESHOOTING

If you purchased your controller from an OEM Supplier, contact the supplier for additional assistance in the event your question may call for information or components not available to our factory.

- Check the LED indicators for controller state. *See the LED Indicators section.*
- Inspect all wiring and connections. Ensure a steady 24Vdc power source is wired to the controller. Check AC line input. *The Power supply must be able to source a minimum of 500mA of current to the controller. AC line voltage operating range is 24 to 600 Vac.*
- Repeat the *Operating Sequence* steps outlined on the first page of this document.
- Connect to the controller with the Control Panel software to view any active alarms or faults. *The Control Panel Diagnostic tab provides additional fault and history information, check for any active inhibit alarms.*
- In Control Panel verify the controller is in RUN state and a setpoint command greater than 0 is being commanded. *On Analog controllers if using the analog input, verify the wiring and source, and ensure the command signal inputs are mapped in the Control Panel on the Setpoints tab of the software.*
- If unable to connect with the Control Panel Software with a "No Control Concepts devices are available" message; re-check the USB cable connections and/or try a different USB cable. *Common communication issues have been found to be caused by poor quality USB cables.*

FEATURES



Command Connector
24VDC power input and Alarm Relay connections.

USB-C Connector
Wired connection to a PC or Android device running the Control Panel software

Reset Button
Press and hold the button for at least 3 seconds to reset the controller.

EtherCAT ports and address setting dials.

EtherCAT (Port LEDs)	
RJ-45:	Run and Link Activity
Discrete:	Error

Refer to the EtherCAT Indicator and Labeling specification document ETG.1300 for expected port indicator operation.



Sales and Technical Support is available Monday thru Friday 8:00 AM to 5:00 PM US Central Time
Contact us directly using Live Chat or email on our website at www.cciipower.com
or by calling 1-(800)-765-2799 or 1-(952)-345-6228

