



ATOM

Three Phase Analog

16 - 80 Amp

QUICK START GUIDE



WARNING: Ensure all high voltage is off and disconnected before wiring the controller. Always wire in accordance with local codes.

OPERATING SEQUENCE

1. Install the controller in the desired location with appropriate clearance as shown in the *Panel Layout*.
2. Attach and wire the 6-pin connector as shown in the *Connector* section.
3. Wire Line and Load connections as shown in the *Wiring Diagram*.
4. Apply 24 Vdc power to the command connector pins 5 and 6 to initiate controller startup.
The Power (PWR) LED will be red when the unit is powered on and no AC line voltage is present.
5. Apply Line Voltage.
The Power (PWR) LED will be green when the unit is powered on and AC line voltage is present.
6. Apply a Digital Setpoint or wired Analog Input signal command greater than zero¹ to enable controller output.
7. Check controller LEDs for proper controller operation.
The Status (STAT) LED will be green when the unit is outputting. The brightness of the Status LED is proportional to the setpoint command.

If the controller is not outputting as expected refer to the *LED Indicators* section for additional LED conditions and the *Troubleshooting* section for help.

¹ When in SSR firing modes the setpoint command must be 100% to enable output.

CONTACT / ORDERING INFORMATION

TEL: (952) 474 - 6200
FAX: (952) 474 - 6070

(800) 765 - 2799
www.cci-power.com

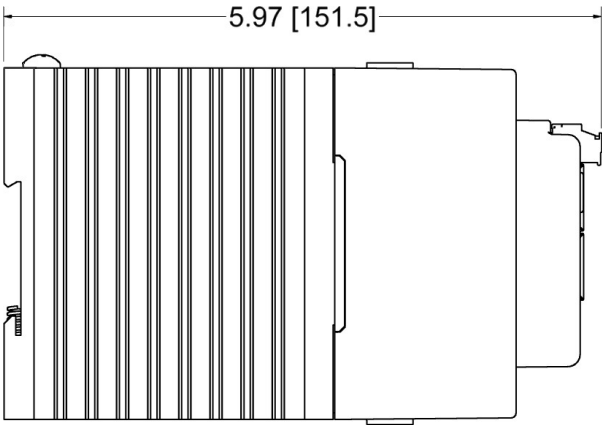
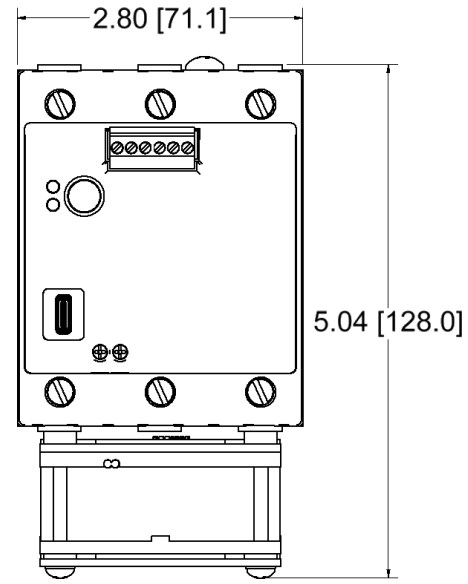
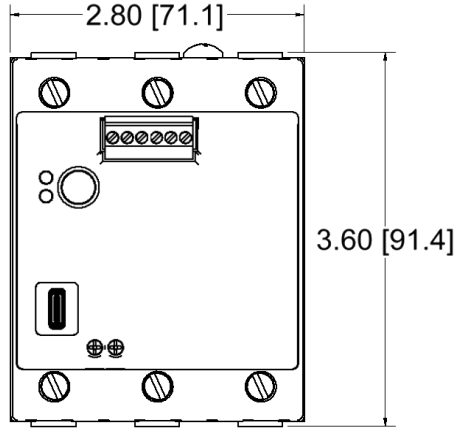
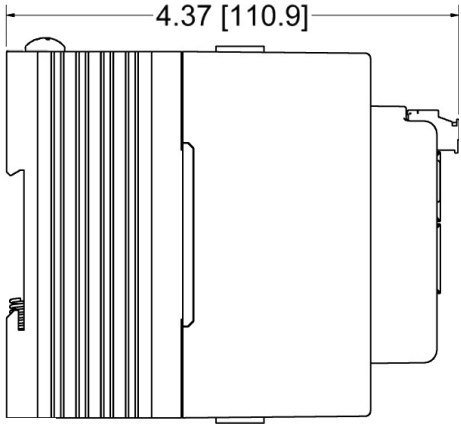
8077 Century Blvd, Chanhassen, MN 55317, USA



PANEL LAYOUT

50 - 80A ATOM Controllers are equipped with a cooling fan for additional heat dissipation.

Dimensions:
Inches [mm]



DIN Rail Mounting

***** IMPORTANT *****
Do not remove DIN spring screw.
To remove or install on a DIN rail, push the controller up and tilt out.
Do not install the included mounting tabs if using a DIN rail.

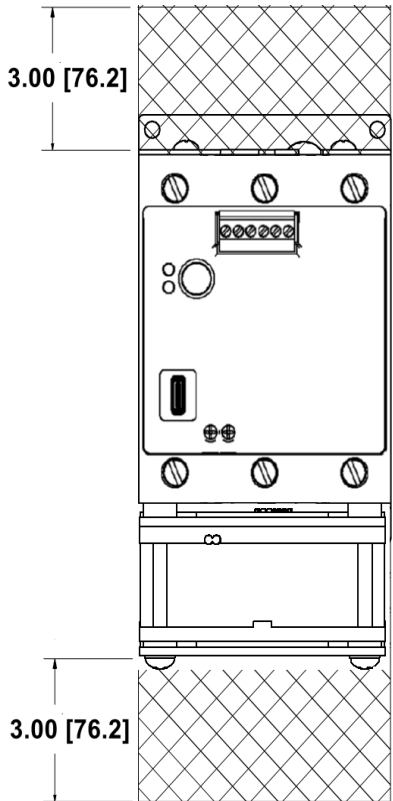
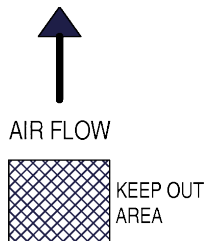
Mounting Clearances

Mount controllers vertically

The top and bottom of the controller must have a minimum of 3.0" [76.2mm] free of obstruction as measured from the edge of the heatsink (or fan if equipped).

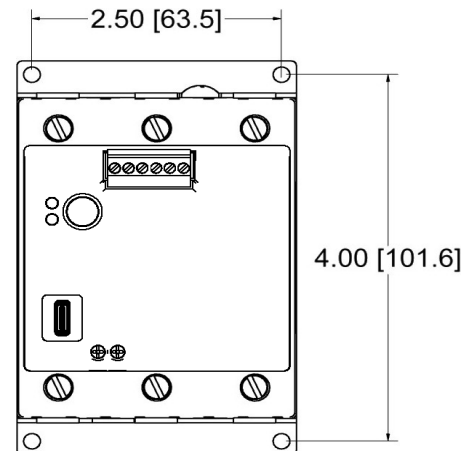
32 amp controllers require a minimum side clearance of 0.5" [12.7mm] between controllers. A clearance spacer is provided in the hardware kit shipped with this frame size.

Cross-hatched areas designate clearances for proper air circulation and cooling.



Panel Mounting

When installing without a DIN rail, install the included mounting tabs on the controller heatsink and use #6 or M3.5 screws with star washers to attach to the panel.
* Panel screws and washers not included



WIRING DIAGRAM

For line and load connections, use copper conductors rated 75° C minimum.

A ground wire is required for proper operation.

Only 1 conductor allowed per terminal.

A.1, B.1, A.2, B.2, C.1, C.2

- Use #2 - 14 AWG wire
- Bare wire strip length: 0.65" minimum

PE Gnd

- Wire in accordance to local electrical codes

Tightening Torque - A1 / A2 / A3 / B1 / B2 / B3		
	Wire Size (AWG)	Torque
A1, A2, A3 B1, B2, B3	10 - 14	35 Inch lbs [3.9 Nm]
	8	40 Inch lbs [4.5 Nm]
	4 - 6	45 Inch lbs [5.0 Nm]
	2 - 3	50 Inch lbs [5.6 Nm]

Analog Setpoint Wiring

Select setpoint type (Voltage or Current) in the Control Panel software. Wire voltage or current source to pin 4 (+) and pin 3 (-) of the 6-pin connector.

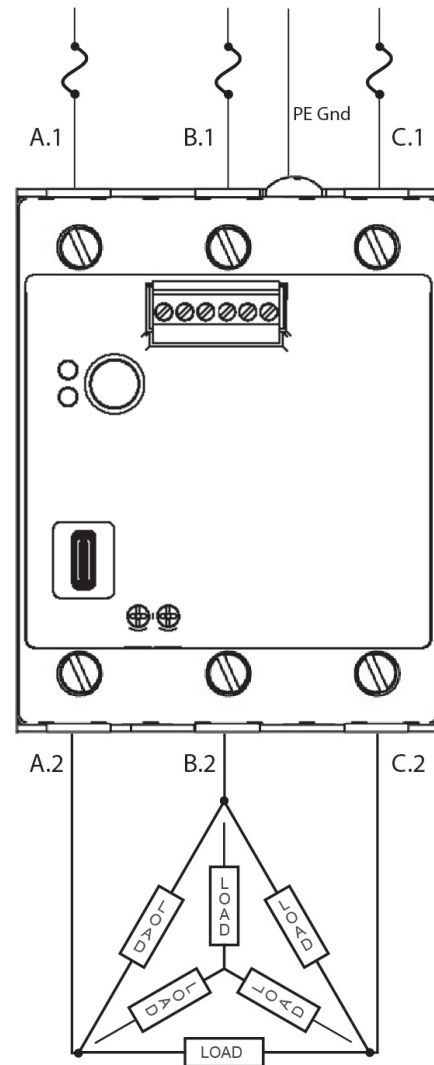
Analog Setpoint Input Range

Voltage: 0-10Vdc (0-32Vdc in Relay firing mode)

Current: 4-20mA



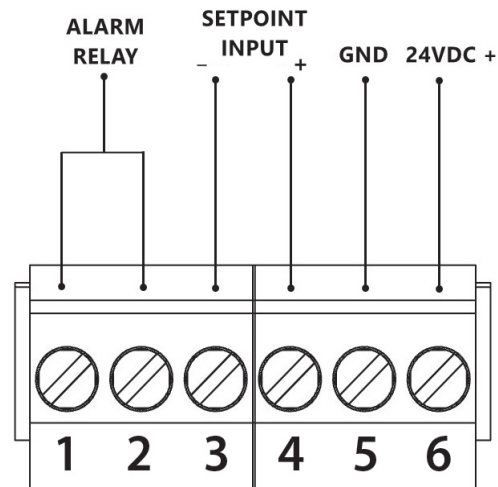
Wire controller to conform with the National Electric Code (NEC) and/or all local wiring codes.



CONNECTOR

Command Connector	
Pin	
1, 2	Alarm Relay
3	Analog Setpoint -
4	Analog Setpoint +
5	Common/GND
6	24VDC +

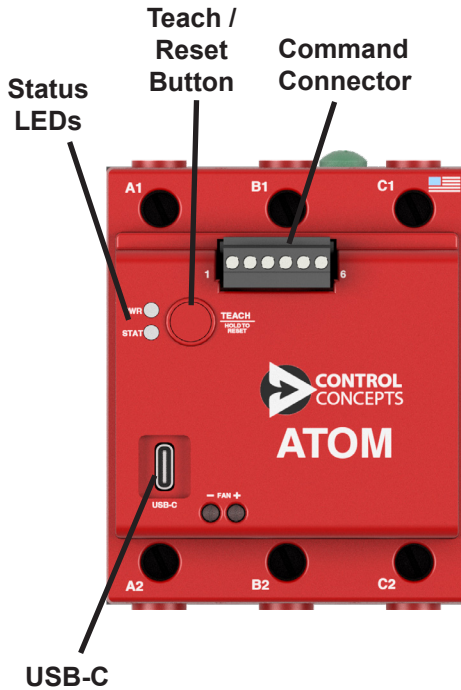
Connector wiring 16-26 AWG min/max.
3.0 Inch lbs [0.34 Nm] maximum torque.



LED INDICATORS

PWR LED (AC Line Power)	
Off	No 24 VDC to controller
Green	AC Line Lock, in sync
Orange	Phase Loss, AC Line Voltage present but too low, or trying to achieve AC Line Lock status
Red	Line Loss, No AC Line Voltage detected

STAT LED (Status)	
Off	None of the states below are active
Green	In RUN State, Intensity indication of output duty cycle % > 0
Red	FAULT State (Inhibit Alarm is active)
Orange	Active Warning Alarm or Controller is in Power-up Initialization.
Flashing Orange	Partial Load Fault Alarm
Flashing Red	Error during Initialization, Controller in 'Waiting for Enter' state.
Alternating Red/ Green	In Flash Programming mode



FEATURES

Command Connector

24VDC power input, Analog Input, and Alarm Relay connections.

USB-C Connector

Wired connection to a PC or Android device running the Control Panel software.

Teach/Reset Button

Dual purpose button used to relearn load resistance or reset the controller.

Teach / Reset Button Operation

Teach:

Press and release the button, Stat LED will be flashing alternate Green/Orange when in Teach mode.

Press and release the Teach button a second time to learn the connected load resistance.

Reset:

Press and hold the button for at least 3 seconds to reset the controller.

TROUBLESHOOTING

If you purchased your controller from an OEM Supplier, contact the supplier for additional assistance in the event your question may call for information or components not available to our factory.

- Check the LED indicators for controller state. *See the LED Indicators section.*
- Inspect all wiring and connections. Ensure a steady 24Vdc power source is wired to the controller. Check AC line input. *The Power supply must be able to source a minimum of 500mA of current to the controller. AC line voltage operating range is 24 to 600 Vac.*
- Repeat the *Operating Sequence* steps outlined on the first page of this document.
- Connect to the controller with the Control Panel software to view any active alarms or faults. *The Control Panel Diagnostic tab provides additional fault and history information.*
- In Control Panel verify the controller is in RUN state and a setpoint command greater than 0 is being commanded. *On Analog controllers if using the analog input, verify the wiring and source, and ensure the command signal inputs are mapped in the Control Panel on the Setpoints tab of the software.*
- If unable to connect with the Control Panel Software with a “No Control Concepts devices are available” message; re-check the USB cable connections and/or try a different USB cable. *Common communication issues have been found to be caused by poor quality USB cables.*



Sales and Technical Support is available Monday thru Friday 8:00 AM to 5:00 PM US Central Time
 Contact us directly using Live Chat or email on our website at www.cci-power.com
 or by calling 1-(800)-765-2799 or 1-(952)-345-6228

