

1021A

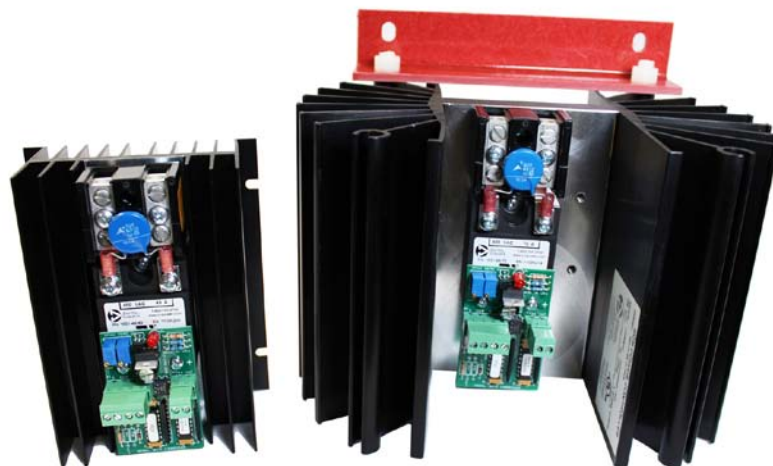
Single-Phase Zero-Cross SCR Power Controller

FEATURES

- Fast Cycling Distributive Zero-Cross Control
- Diagnostic LED
- Line Voltage Compensation
- Compact Size
- Increased Heater Life
- Isolated Heatsink and Command Signal

APPLICATIONS

- Electric Ovens, Furnaces, and Kilns
- Environmental Chambers
- Contactor Replacement
- Resistance Heating
- Platen Heaters
- Extruders



LISTED 3L32
INDUSTRIAL
CONTROL
EQUIPMENT
E136219



CERTIFIED
BY UL TO
CANADIAN
NATIONAL
STANDARDS

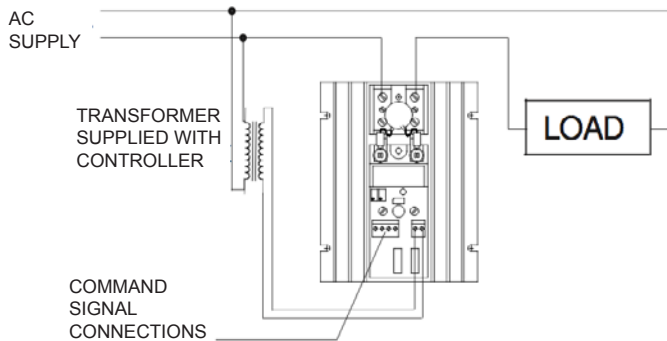


DESCRIPTION

The model 1021A is a single-phase, zero-cross SCR power controller that controls the electrical power applied to a single phase load by fast cycling, distributive zero-cross operation of a pair of SCR's. The power applied to the load is linear with respect to the command signal. Available command signals include 0/5Vdc, 0/10Vdc, or potentiometer. The model 1021A is available with current ratings from 10 to 70 amps and voltage ratings from 120 to 575Vac.

The model 1021A is a compact and economical power control solution for industrial applications that require high reliability and long life. The fast solid state switching of the model 1021A provides superior performance over relays, contactors and other slower cycling controllers by reducing temperature variations associated with the longer ON/OFF cycles of those devices. The result is a more precise control of the heating process and extended heater life. Zero-cross control generates minimal RFI noise, virtually eliminating the possibility of interference with other electronic equipment. Line voltage compensation greatly reduces load power variations that result from line voltage changes. This feature provides a more constant load power independent of line voltage variations.

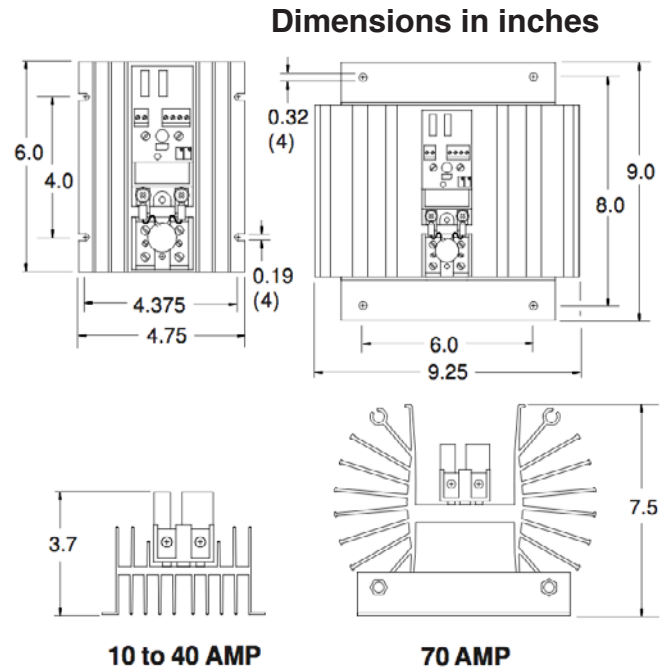
WIRING



SPECIFICATIONS

Control Mode	Single-phase, zero-cross distributive control of the load power.
Command Signal	0/5Vdc, 0/10Vdc, potentiometer (1k min.). Input impedance; 0/5Vdc 100k, 0/10Vdc and potentiometer 200k.
Control Range	0 to 100% of line voltage.
Linearity	Load power is linear with respect to the command signal.
Zero and Span	User adjustable, multi-turn pots, over a range of +/- 20% of span. Factory preset.
Isolation	Dielectric strength, input/output and load voltage/heatsink: 2500V(RMS)
Mounting	Panel mount. Heatsink fins vertical.
Line Voltage	120, 240, 480, and 575 Vac +10%, -15%, 50/60 Hz. Other voltages available.
Line/Load Connections	Compression lugs accept #2 to #14 Copper or #2 to #8 Aluminum.
Load Current	Models available with current ratings of 10, 20, 30, 40 or 70 Amps.
dv/dt and Transient Voltage	200 volts/microsecond minimum. Uses a dv/dt snubber and a metal oxide varistor (MOV).
Cooling	Convection.
Weight	10A thru 40A, 2 pounds; 70A, 6 pounds.
Approximate Shipping Weight and Box Size	10-40A 3 Lbs 7-5-5" Box Size 70A 14-14-10" Box Size
Temperature	Operating: 0 to +55 C (+32 to +131 F) Storage: -40 to +80 C (-40 to +176 F)
Heat Dissipation	1.5 Watts per amp of controlled current.
Fusing	Special semiconductor fuses not required. Class T fuses are recommended to protect controller and load.

DIMENSIONS



ORDERING INFO

1021A Single Phase, Zero Cross SCR Power Controller.
 Voltage Rating: 12=120V, 24=240V, 48=480V, 57=575V. Other Voltages Available.
 Current Rating: 10, 20, 30, 40, or 70 Amps.
 Command Signal: 0/5Vdc, 0/10Vdc, or Potentiometer. Other commands available.

1021A — 48 — 40 — 0/10V

ABOUT US

Control Concepts, Inc. has the expertise to meet your specific industrial power control needs with a full range of standard and custom SCR power controllers and signal conditioners. All Control Concepts products are covered by a limited two year warranty.

Call us for more information and assistance.



TEL: (952) 474-6200 | (800) 765-2799
 FAX: (952) 474-6070 | www.ccipower.com
 18760 Lake Drive East, Chanhassen, MN 55317