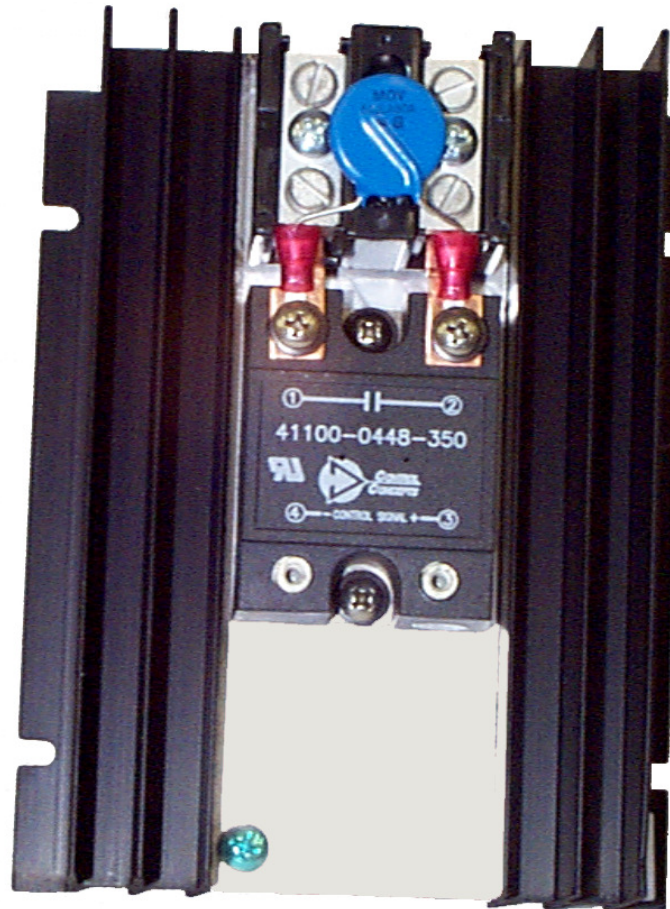




**CONTROL
CONCEPTS**

1024/1024A

**Single-Phase,
Zero-Cross
SCR Assembly**



Description

The models 1024 and 1024A are single phase, zero-cross power controllers.

The model 1024 controller responds to a DC command signal between 3.5 and 32 Volts.

The model 1024A controller responds to an AC command signal between 90 and 280 Volts.

Both models control the average AC voltage to the load proportional to the command signal.

The command signal is electrically isolated from the line and load voltage.

Applications

- **Transient Free Switching**
- **Solid State Contactor Replacement**
- **On/Off Control**



LISTED 3L32
INDUSTRIAL
CONTROL
EQUIPMENT



CERTIFIED
BY UL TO
CANADIAN
NATIONAL
STANDARDS

Dimensions

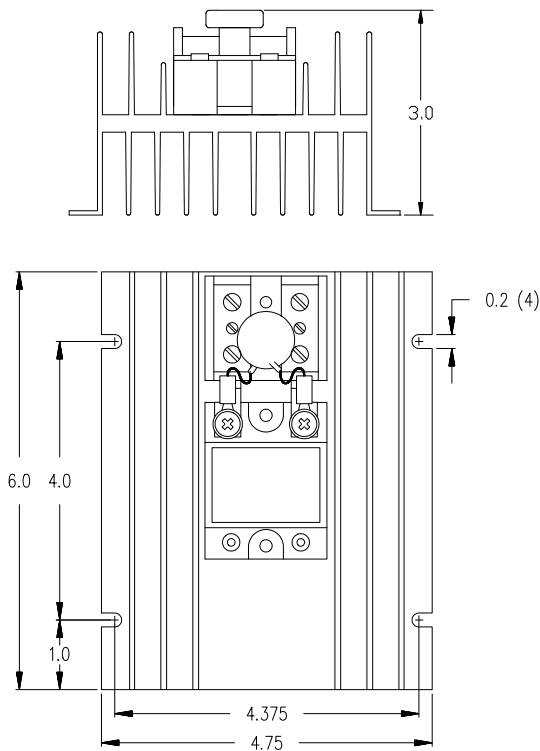


Figure 1. 10 - 40 Amp controller.

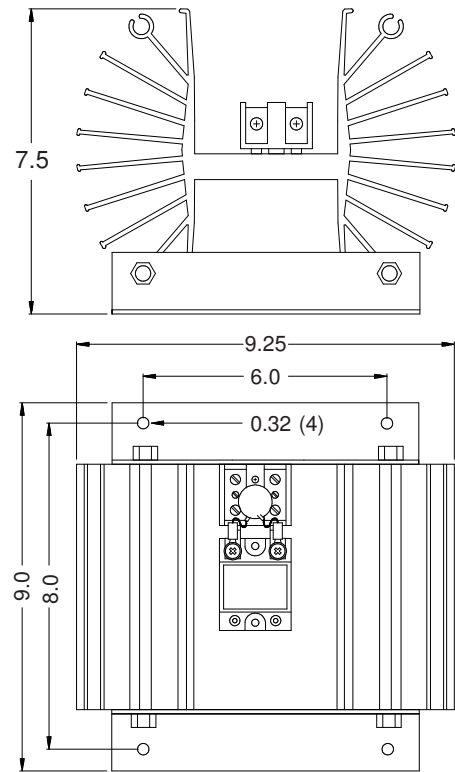


Figure 2. 70 Amp controller.

Ordering Information

1024-(xx-xx) or 1024A-(xx-xx)

1024 **Single Phase, Zero-Cross
with 4-32Vdc command**

1024A **Single Phase, Zero-Cross
with 90-280Vac command**

(xx-xx)

12-10 = 120 Volt line, 10 Amp load
 12-20 = 120 Volt line, 20 Amp load
 12-30 = 120 Volt line, 30 Amp load
 12-40 = 120 Volt line, 40 Amp load
 12-70 = 120 Volt line, 70 Amp load
 24-10 = 240 Volt line, 10 Amp load
 24-20 = 240 Volt line, 20 Amp load
 24-30 = 240 Volt line, 30 Amp load
 24-40 = 240 Volt line, 40 Amp load
 24-70 = 240 Volt line, 70 Amp load
 48-10 = 480 Volt line, 10 Amp load
 48-20 = 480 Volt line, 20 Amp load
 48-30 = 480 Volt line, 30 Amp load
 48-40 = 480 Volt line, 40 Amp load
 48-70 = 480 Volt line, 70 Amp load
 57-10 = 575 Volt line, 10 Amp load
 57-20 = 575 Volt line, 20 Amp load
 57-30 = 575 Volt line, 30 Amp load
 57-40 = 575 Volt line, 40 Amp load
 57-70 = 575 Volt line, 70 Amp load

About Control Concepts

Control Concepts, Inc., offers a wide variety of power controllers designed for your toughest process control applications.

Single and Three Phase controllers are available with current ratings from 10 to 1000 amps.

In addition, Control Concepts, Inc. offers custom SCR power controllers to meet your unique requirements.

Control Concepts, Inc. has the expertise and the products to meet your specific industrial control needs. Call us today for answers that work. **(800)-765-2799**

Manufactured by



TEL: (952) 474-6200 (800) 765-2799
 FAX: (952) 474-6070 www.cciipower.com

8077 Century Blvd
 Chanhassen, MN 55317, USA