



Listed 3L32 - Industrial Control Equipment  
100kA Short Circuit Current Rating  
File Number E136219

---



EN60947 - 4 - 3  
IP 20  
See CE Declaration of Conformity

---



Part 15 Subpart B  
Class A Device

---



See RoHS Certificate of Compliance

# DECLARATION OF CONFORMITY

MicroFUSION Series SCR Power Controller

Control Concepts, Inc.  
18760 Lake Drive East  
Chanhassen, MN 55317 USA

Declares that the following product:

Designation: MicroFUSION Series Power Controller  
Model Numbers: Model uF, followed by 1 or 3, followed by HX or SX, followed by T or D or 4DY or 6DY or 64Y or 6ID, followed by A through Z, followed by any number or letter, followed by numbers -01 through -400, followed by "-" and numbers and/or letters  
Classification: Solid State Power Controller, Class I, CE Pollution Degree II  
Rated Voltage: 24 - 690 VAC  
Rated Frequency: 45 - 65 Hz

Meets the essential requirements of the following European Union Directive(s) using the relevant section(s) of the normalized standards and related documents shown:

EN 60947 - 4 - 3: 2014 Low-voltage switchgear and controlgear

IEC 60947- 4 - 1: 2012

-Clause 9.4.2 Immunity referencing IEC 60947-1: 2007/A1: 2010/A2: 2014, Clause 8.4.1, Table 23

-IEC 61000- 4 - 2: 2008

-IEC 61000- 4 - 3: 2006/A1: 2007/A2: 2010

-IEC 61000- 4 - 4: 2004/A1:2010

-IEC 61000- 4 - 5: 2005/AC1:2009

-IEC 61000- 4 - 6: 2013

-IEC 61000- 4 - 8: 2009

-IEC 61000- 4 - 11: 2004

IEC 60947 - 4 - 1: 2012, Clause 9.4.3 Emission

Referencing IEC 60947-1: 2007/A1: 2010/A2: 2014, Clause 7.3.3

EUROPEAN STANDARD EN 55011: 2009 + A1: 2010

FCC Part 15 Subpart B

Note 1: All power terminals must be populated as to keep the controller touch safe to comply with EN 60947-4-3.

Note 2: Controller must be mounted in a shielded enclosure to comply with EMC Directive 2014/30/EU.

Note 3: Controller must have appropriate line and control power filter to comply with EN61000-6-2.

---

Third party conformance testing conducted by TÜV America.

TÜV SÜD America Inc.

Suite 104

1774 Old Highway 8 NW

New Brighton, MN 55112 - 1891

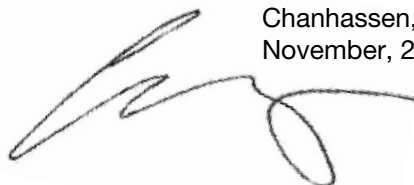
---

Name of Authorized Representative: Cory Watkins

Title of Authorized Representative: President

Place of Issue: Chanhassen, Minnesota, USA

Date of Issue: November, 2017



Signature of Authorized Representative

11/17/2017

Date

External EMI filters must be used in conjunction with the FUSION series power controllers to maintain CE immunity\* approval. The following filters were used during the immunity testing.

Universal input power:

Schaffner filter  
P/N: FN 2030-3-06

Line input power:

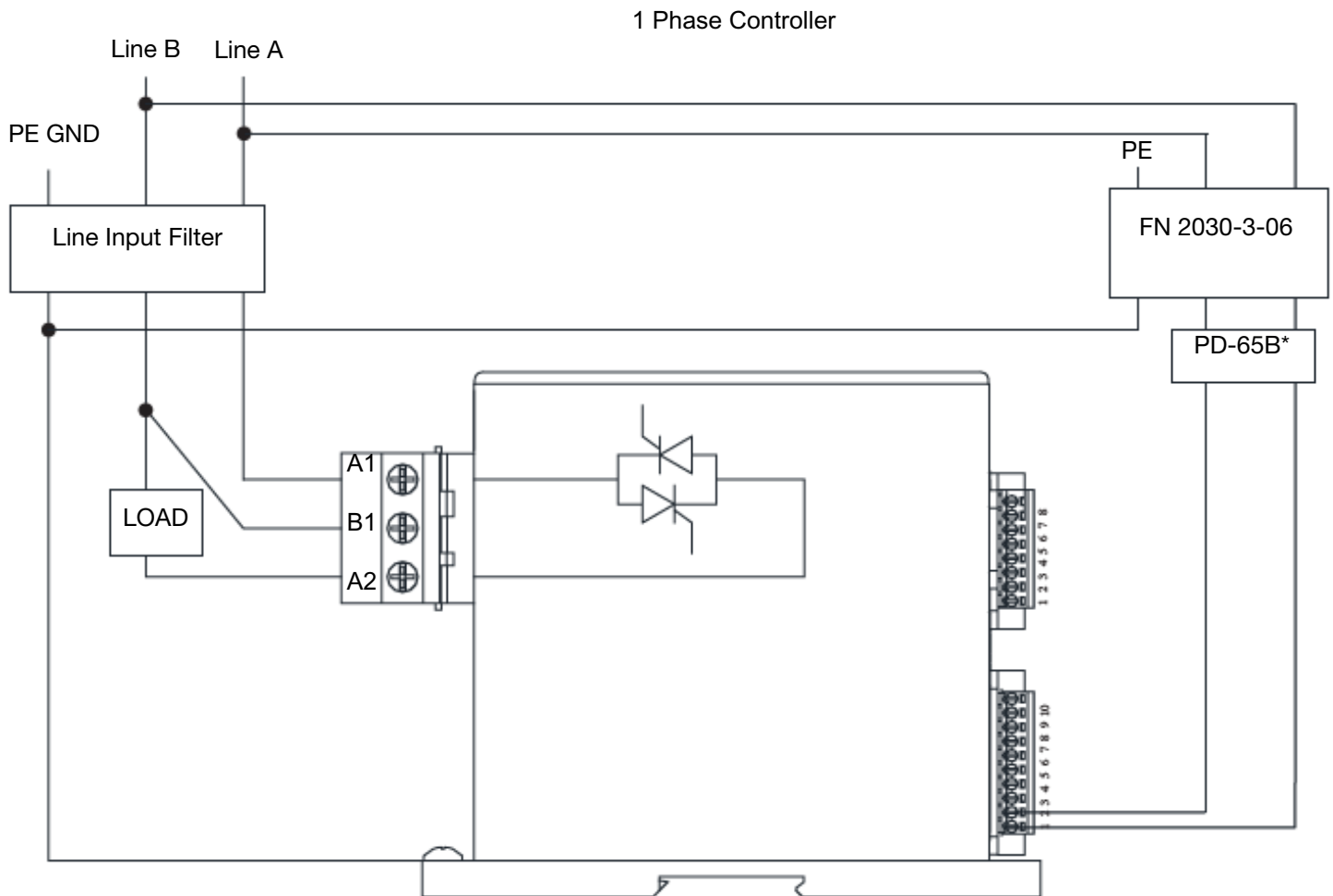
Schaffner filter  
P/N: FN 3270H-35-33

The Schaffner filter for universal input power, or it's equivalent, may be used as listed above. The line input power filter however, will need to be sized accordingly for your load. Please contact Schaffner EMC Inc. for help finding the appropriate filter.

Schaffner EMC Inc.  
52 Mayfield Avenue | Edison, New Jersey 08837 / USA  
T 1-800-367-5566 | T 732-225-9533 | F 732-225-4789  
usasales@schaffner.com | <http://www.schaffner.com/us>

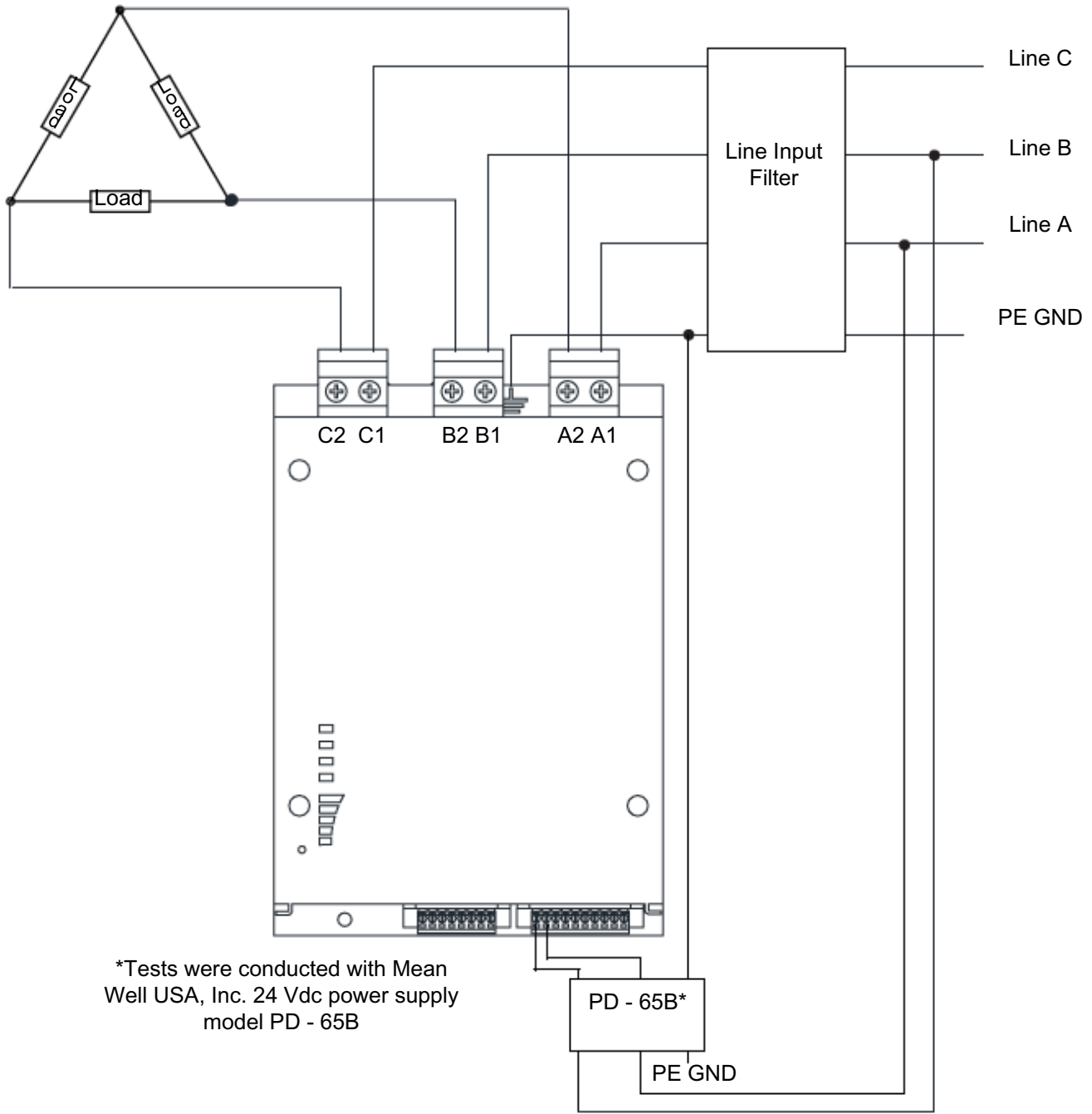
\*No filtering is required for emissions.

Wire filters as shown below:



\*Tests were conducted with Mean Well USA, Inc. 24 Vdc Power Supply model PD - 65B

3 Phase Controller



Other wire diagrams are available, for models not listed here, by contacting Control Concepts, Inc.

**ATTENTION**

This product has been designed for class A equipment. Use of this product in domestic environments may cause radio interference, in which case the user may be required to employ additional mitigation methods.

**NOTICE**

This product has been designed for environment A. Use of this product in environment B may cause unwanted electromagnetic disturbances, in which case the user may be required to take adequate mitigation measures.

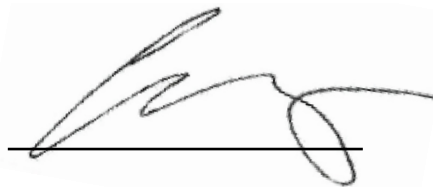
PB-FREE/REDUCTION OF HAZARDOUS SUBSTANCE (RoHS)  
**CERTIFICATE OF COMPLIANCE**



This document Certifies that Control Concepts, Inc's products listed in the table are fully RoHS compliant as of Nov 17, 2017 in accordance with EU RoHS Directive 2011/65/EU. The products listed in the table have been identified as RoHS compliant do not exceed the maximum limit for the six substances: Lead, Mercury, Cadmium, Hexavalent chromium, Polybrominated biphenyls and Polybrominated diphenyl ether.

PRODUCT FAMILY	PART NUMBERS	DATE ADDED
----------------	--------------	------------

FUSION	FUSION-□□-□-□□□□-□-□□□□-□□□□	11/13/2009
FUSION CF	CF-□□-□-□□□□-□-□□□□-□□□□	12/20/2009
MicroFUSION Single Phase	uF1-□□□□□□-□□-□□□□□□	4/1/2014
MicroFUSION Three Phase	uF3-□□□□□□□□-□□-□□□□□□	4/1/2014
Connect Gateway Module	FG-□□-□□-□□□□	10/19/2015



Authorized Signature  
Cory Watkins, President

6/01/2018

Date Last Updated

CONTROL CONCEPTS, INC.  
18760 LAKE DRIVE EAST  
CHANHASSEN, MN 55317  
(952) 474-6200  
1-800-765-2799  
FAX (952) 474-6070  
www.ccipower.com