

MICROFUSION

THREE PHASE SCR POWER CONTROLLERS



FEATURES

Auto-Ranging Input Voltage

UL: 24 - 600 Vac, 45 - 65 Hz
CE: 24 - 690 Vac, 45 - 65 Hz

AC Output

8, 16, 32, 50, 80, 100, 130, 160, 200, 240, 320, 400 A
(@ 6000 ft [1829 m], 122°F [50°C])

Control Features

Microprocessor-based controller, phase lock loop timing
Firing modes:

*Zero Cross, Phase Angle,
Zero Cross Transformer (ZCT) Mode,
HiPER Mode, and Fast Zero Cross Mode*

Feedback: Voltage, Current, True Power, External
Adjustable Soft Start: Phase Angle
Output Limits: Voltage, Current, Power
Missing Cycle Detection
SYNC-GUARD™: Power-level multiple Zero-Cross controllers
TRANS-GUARD™: Prevent upstream transformer heating
Dedicated Input Bit for Run/Stop
kWh Meter
Heater Bakeout
Resistance Measurement

Analog Interface (Up to Two Analog Inputs)

Standard setpoint ranges: 0 - 5 Vdc, 4 - 20 mA
Field Scalable: 0 - 10 Vdc, 0 - 20 mA, or Potentiometer

Available Internal Fieldbus Interfaces

EtherNet/IP Modbus TCP (Ethernet)
PROFINET

Easy Setup via Plug-n-Play USB

Load / Save Controller Configurations
Chart Diagnostics and Log Operations

Two Year Warranty



OPTIONAL FEATURES

General Purpose Input

Second Analog Input Channel

Additional Setpoint, Potentiometer Input, External Feedback, or Pulse Width Modulation (PWM)

Alarm Relay

Form C Relay Output

2 x 16 Bit Analog Retrasmits

Standard Setpoint Ranges: 0 - 5 Vdc, 4 - 20 mA
Field Scalable: 0 - 10 Vdc, 0 - 20 mA, or Potentiometer

Limit Control

Current, Power, and Voltage

Remote Display

Handheld 2 line, 16 character text display
1/4 Din Mount

High Performance

True RMS Power, Load Voltage Feedback, Load Current Feedback, High Resolution Control Loop

Isolated I/O

500 Vac isolation from 24 Vdc control power to Analog Inputs, General purpose input, Run/Stop, and Retrasmits

External, Touchsafe Class T Fusing

DESCRIPTION

MicroFUSION is an ultra-compact high-performance microprocessor-based power controller, available in three phase 4 SCR, or three phase 6 SCR models to control AC loads.

Resistive or transformer-connected loads can be controlled in either Phase Angle, Zero Cross, Zero Cross Transformer (ZCT), Fast Zero Cross (FZC), or HiPER Mode. Output is controlled linearly with respect to command signal and can be set to the average or RMS value of the voltage and current, as well as true instantaneous power or external feedback.

MicroFUSION Series power controllers are available in current ratings from 8 - 400 A· AC. Auto-ranging voltage circuitry enables main supply voltage from 24 - 600 Vac for UL/cUL or 24 - 690 Vac for CE, (45 - 65 Hz) eliminating the need for hardware jumpers or stocking multiple controllers for international voltages. A separate 24 Vdc power source supplies the control electronics and maintains critical communications to your control system when the mains are absent.

Status LEDs and a LED bar graph make operation and troubleshooting simple. A plug-n-play USB interface and free Control Panel software for your PC further simplifies installing and configuring the controller to its designated application. For multiple controllers, controller settings can be duplicated by simply loading a configuration file saved from a previous unit.

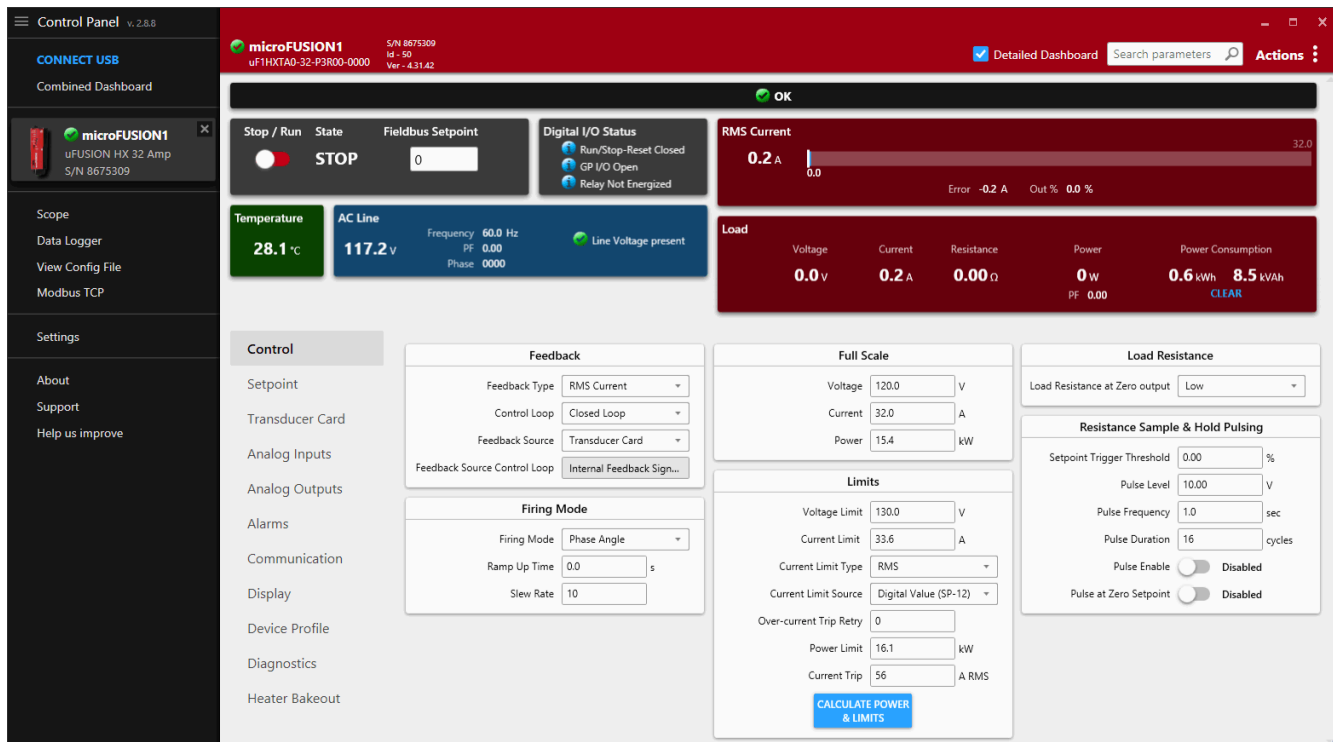
Setpoints can be controlled through the standard analog or optional digital fieldbus interface. The factory-configured analog setpoint signal ranges are 0 - 5 Vdc and 4 - 20 mA, both of which are field scalable from 0 - 10 Vdc or 0 - 20 mA.

The robust design of MicroFUSION allows for continuous full-frame current operation, without derating, up to 122°F [50°C], 6000 ft [1829 m] altitude. Cooling is accomplished through natural convection, forced air, or optional external panel mount.

The optional IP65 Remote Display provides a clear readout of key parameters and alarm status. Setpoints, limits and alarms are touchpad accessible and easily customized. For additional convenience, a panel mounting kit is available, eliminating the need for external meters, indicators, switches and the associated costs of wiring and labor.

Free Control Panel Software for complete monitoring and control of single or multiple MicroFUSION controllers

Compatible with Microsoft Windows PC computers



The screenshot displays the Control Panel software interface for a MicroFUSION controller. The interface is divided into several sections:

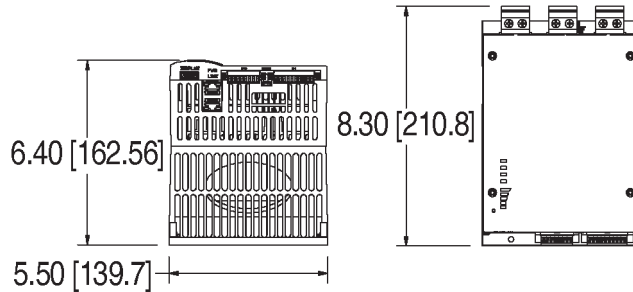
- Header:** Shows the controller model (microFUSION1), serial number (S/N 8675309), and version (Ver - 4.31.42). It includes a search bar and an Actions menu.
- Status:** A large green bar at the top indicates the controller is in an "OK" state.
- Stop / Run State:** A red "STOP" button is visible, along with a Fieldbus Setpoint of 0.
- Digital I/O Status:** Shows Run/Stop-Reset Closed, GP I/O Open, and Relay Not Energized.
- RMS Current:** A gauge shows 0.2 A, with an error of -0.2 A and output percentage of 0.0%.
- AC Line:** Displays Temperature at 28.1°C and AC Line voltage at 117.2 V. Frequency is 60.0 Hz, PF is 0.00, and Phase is 0000.
- Load:** A table shows Voltage (0.0 V), Current (0.2 A), Resistance (0.00 Ω), Power (0 W), and Power Consumption (0.6 kWh, 8.5 kWh).
- Control Settings:**
 - Feedback:** Feedback Type is RMS Current, Control Loop is Closed Loop, Feedback Source is Transducer Card.
 - Firing Mode:** Firing Mode is Phase Angle, Ramp Up Time is 0.0 s, Slew Rate is 10.
 - Full Scale:** Voltage is 120.0 V, Current is 32.0 A, Power is 15.4 kW.
 - Limits:** Voltage Limit is 130.0 V, Current Limit is 33.6 A, Current Limit Type is RMS, Current Limit Source is Digital Value (SP-12), Over-current Trip Retry is 0, Power Limit is 16.1 kW, Current Trip is 56 A RMS.
 - Load Resistance:** Load Resistance at Zero output is Low.
 - Resistance Sample & Hold Pulsing:** Setpoint Trigger Threshold is 0.00%, Pulse Level is 10.00 V, Pulse Frequency is 1.0 sec, Pulse Duration is 16 cycles, Pulse Enable is Disabled, Pulse at Zero Setpoint is Disabled.
- Left Sidebar:** Contains navigation options like CONNECT USB, Scope, Data Logger, View Config File, Modbus TCP, Settings, About, Support, and Help us improve.

DIMENSIONS

Dimensions in Inches [mm].

8 - 32 Amps

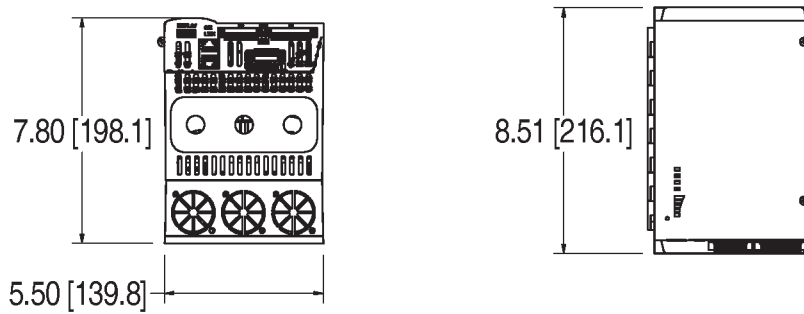
DIN Rail / Panel Mount



Weight: 6.40 lb [2.91 kg]

50 - 160 Amps

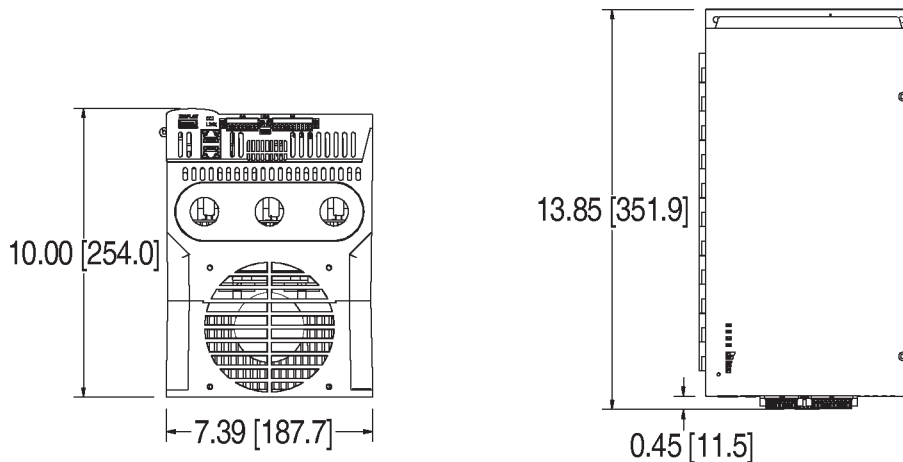
Panel Mount



Weight: 11.6 lb [5.26 kg]

200 - 400 Amps

Panel Mount

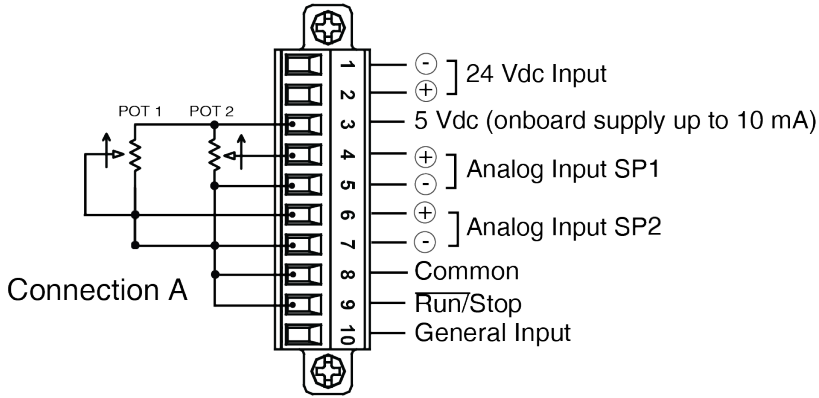


200 - 240 A Weight: 18.00 lb [8.16 kg]

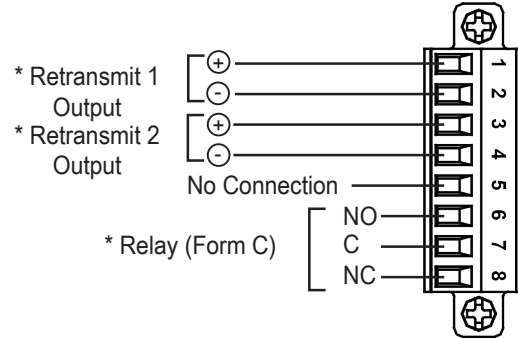
320 - 400 A Weight: 19.40 lb [8.80 kg]

P1/P2 CONNECTOR

P1 Command Connector

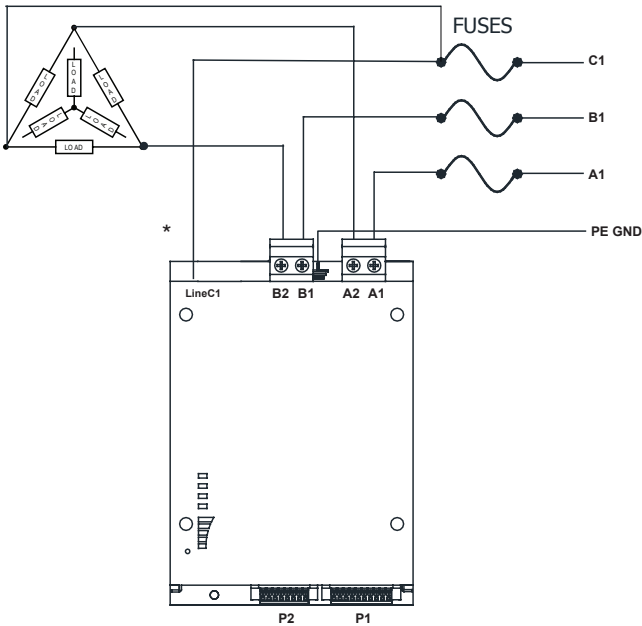


P2 Command Connector

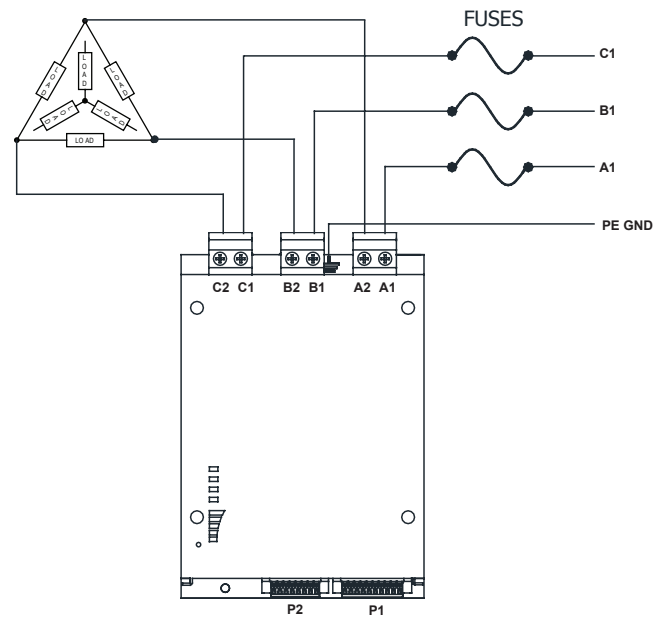


THREE PHASE LINE/LOAD CONNECTIONS

Three Phase, 2 Leg, 8 - 32 A



Three Phase, Delta or Wye, 8 - 32 A

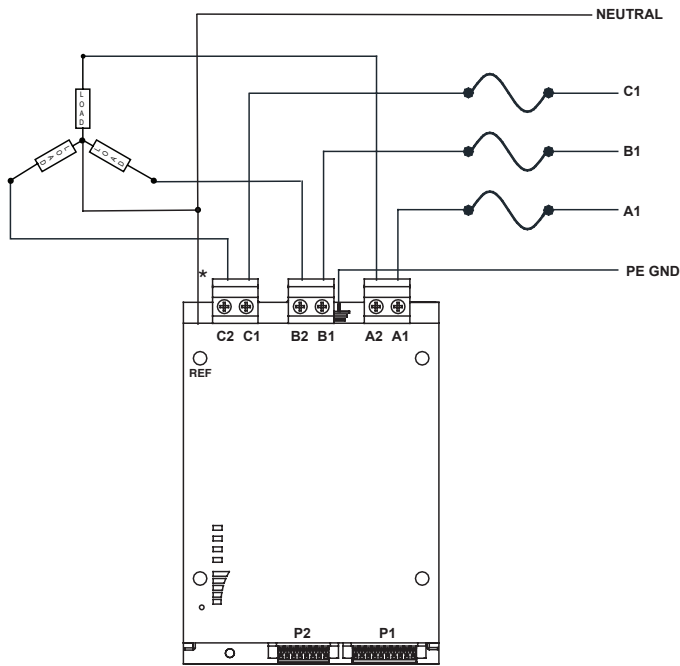


* Note: 0.60 mA maximum through Line C1 connection at 600 Vac.

See manual for recommended wire sizes.

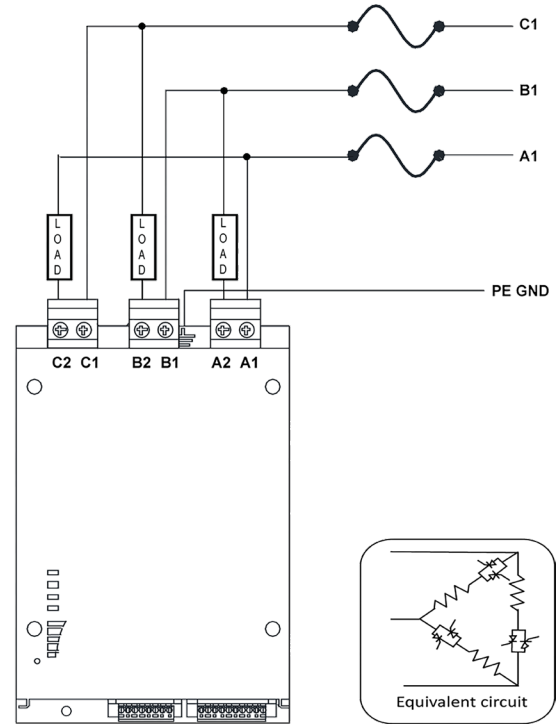
THREE PHASE LINE/LOAD CONNECTIONS

Three Phase, Four Wire Wye, 8-32 A



* Note: 0.60 mA maximum through Ref connection at 600 Vac.

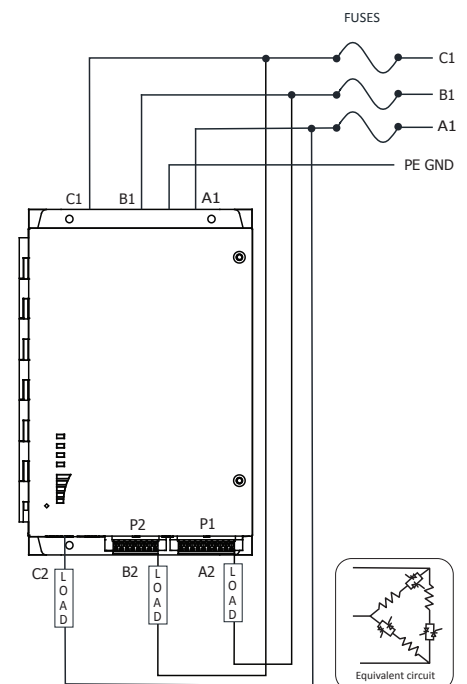
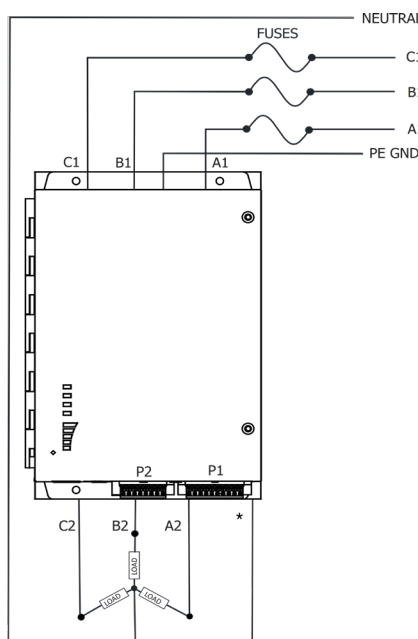
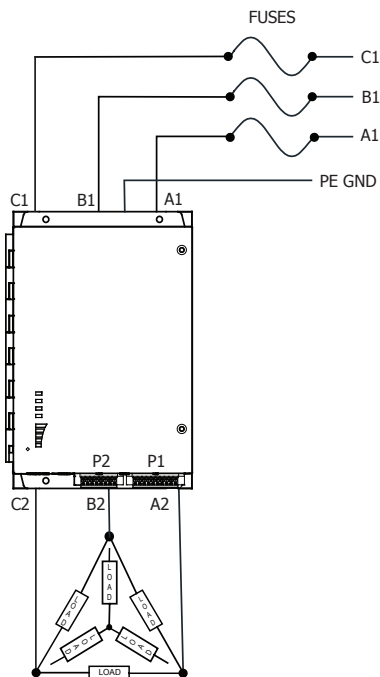
Three Phase, Inside Delta, 8 - 32 A



Three Phase, Delta or Wye, 50 - 400 A

Three Phase, Four Wire Wye, 50 - 400 A

Three Phase, Inside Delta, 50 - 400 A



* Note: 0.60 mA maximum through C Ref connection at 600 Vac.

See manual for recommended wire sizes.

FEATURE COMPARISON

MicroFUSION is available with one of four performance options: SX-S (Standard board), SX-L (Standard board with Current features), HX-L (High Performance board with Current and Voltage features) and HX-P (Fully populated High Performance board)

- = Included
- = Field Upgradable Option
- = Option Available at Manufacturing Time
- = Not available

FEATURE LIST	SX-S	SX-L	HX-L	HX-P
Auto-Ranging Input: 24 - 600 Vac for UL/cUL, 690 Vac for CE	●	●	●	●
Phase Angle ¹ and Zero Cross Firing Modes	●	●	●	●
Adjustable Phase Angle Soft-Start ¹	●	●	●	●
Heater Bake Out	●	●	●	●
Touchsafe Design	●	●	●	●
UL Listed, CE, 100kA SCCR, and RoHS certifications	●	●	●	●
Micro USB Connection (USB Plug-N-Play)	●	●	●	●
Free Control Panel Software	●	●	●	●
DIN Rail Mountable (Up to 80A)	●	●	●	●
Panel Mount	●	●	●	●
Run/Stop	●	●	●	●
Overcurrent Trip	●	●	●	●
Analog Input (0 - 10 Vdc, 0/4 - 20 mA or potentiometer)	●	●	●	●
CCI Link™ Connectivity	●	●	●	●
TRANS-GUARD™ - Prevent upstream transformer heating	●	●	●	●
LED Bar Graph	●	●	●	●
Fixed Current Limit - 105% of Frame	●	-	-	-
Adjustable Current Limit	○	●	●	●
Alarm Relay	○	○	●	●
Current Control	○	●	●	●
Load Voltage Control	-	-	●	●
Voltage Limit	-	-	●	●
Monitor Load Current - Provides load current data via software, display, or fieldbus	○	●	●	●
Isolated I/O	□	□	□	□
2 Analog Input Channel (0 - 10 Vdc, 0/4 - 20 mA or potentiometer)	○	○	○	○
General Purpose Input	○	○	○	○
Pulse Width Modulation Input (PWM)	○	○	○	○
Accessory Option: Remote Display	○	○	○	○
SYNC-GUARD™ Connectivity - Power level multiple Zero-Cross controllers	○	○	○	○
Internal Fieldbus Options: PROFINET, Modbus TCP, and EtherNet/IP	□	□	□	□

¹ Except for 4DY models

FEATURE COMPARISON, CONTINUED

FEATURE LIST, CONTINUED	SX-S	SX-L	HX-L	HX-P
Zero Cross Transformer Firing Mode	-	-	○	○
Retransmit (RTX): 2x High Resolution Analog Outputs 0 -10 Vdc or 0/4-20 mA	-	-	○	○
Power Limit	-	-	○	●
True Power Control	-	-	○	●
Monitor True RMS Power - Provides true power data via software, display, or fieldbus	-	-	○	●
High Resolution Control Loop	-	-	○	●
Kwh Meter	-	-	○	●
HiPER Mode - High performance low conduction angle firing mode	-	-	○	●
Resistance Measurement	-	-	○	●

SPECIFICATIONS

POWER	
Line Voltage (Auto Ranging)	UL/cUL: 24 - 600 Vac (Nominal) (+10% / -15%) (Contact CCI for other options) CE: 24 - 690 Vac (Nominal) (+10% / -15%) (Contact CCI for other options)
Line Frequency (Auto Ranging)	45 - 65 Hz
Frame Current Ratings (Amps)	Continuous RMS (AC) 8 16 32 50 80 100 130 160 200 240 320 400
Current Rating - Peak Surge	20x frame rating for 10 ms
Minimum Hold/Latch Current	500 mA up to 160 A 1 A at 200 - 400 A
Max Leakage Current	10.6 mA @ 600 Vac 50/60 Hz
SCR Rating (PIV)	1600 V peak forward & reverse
Fusing	Optional external Class T, branch-rated, touch-safe fusing
Thermal	Integrated heat sink thermal sensor
Current Limit	105% (SX-S), 20 - 105% (SX-L, HX) of continuous rating of Frame Amp Rating
Current Trip	50 - 450% of continuous rating
Power Dissipation	1.3 W per A of load current per phase
Control Power / Operates Internal Control Electronics	24 Vdc (+10 / -15%)

ENVIRONMENTAL	
Surrounding Air Operating Temp	32°F [0°C] to 122°F [50°C] with derating for 140°F [60°C]
Humidity	20% to 90% RH Non-Condensing
Rated Operating Altitude	Up to 6000 ft [1829 m] at full rated current
Contaminates	RoHS Compliant, CE Pollution Degree 2 (only non-conductive pollution occurs)
Storage Temperature	-4°F [-20°C] to 176°F [80°C]

SPECIFICATIONS, CONTINUED

COOLING

Din Rail/Panel Mount	Forced Air / Natural Convection
----------------------	---------------------------------

DC POWER CONSUMPTION

8 - 160 A Three Phase	24 W
200 - 400 A Three Phase	33 W
Onboard Fieldbus Module	Add 0.7 W

ENCLOSURE PROTECTIVE RATING

International	IP 20
Remote Display	IP 65, UL Type 1 & 12

I²t DATA (8.3 - 10 msec)

Frame Size	Conditions	I ² t Data
0 - 32	Junction Temp 125°C	16200 A ² s
50 - 160	Junction Temp 125°C	80000 A ² s
200 - 240	Junction Temp 125°C	125000 A ² s
320 - 400	Junction Temp 125°C	320000 A ² s

ISOLATION

Signal to Line/Load	3750 Vac minimum
Line/Load to Ground	2500 Vac minimum
Signal to Ground	1500 Vac minimum
Network	1500 Vac minimum
USB	2500 Vac minimum
Signal to Processor	1500 Vac minimum
Remote Display	2500 Vac minimum

SCCR - TYPE 1 COORDINATION

Frame 1Ø / 3Ø	Required Fusing *	SCCR Rating **
8 A	10 A Fast Acting J or T	100 kA
16 A	20 A Fast Acting J or T	100 kA
32 A	40 A Fast Acting J or T	100 kA
50 A	60 A Fast Acting J or T	100 kA
80 A	100 A Fast Acting J or T	100 kA
100 A	125 A Fast Acting J or T	100 kA
130 A	175 A Fast Acting J or T	100 kA
160 A	200 A Fast Acting J or T	100 kA
200 A	250 A Fast Acting J or T	100 kA
240 A	300 A Fast Acting J or T	100 kA
320 A	400 A Fast Acting J or T	100 kA
400 A	500 A Fast Acting J or T	100 kA

* Maximum fuse Amps shown above, fuses with lower Amp rating can also be used.

** To meet SCCR rating Fast acting J or T fusing must be used.

ANALOG SETPOINT INPUTS

Voltage	0 - 10 Vdc (0 to 65535)	Update period: 6 ms
Voltage Impedance	200 kΩ	
Max Voltage	+/- 15 Vdc	
Current Mode	0 - 20 mA (0 to 32767)	
Current Impedance	249 Ω	
Max Current	+/- 31 mA or +/- 7.8 Vdc	
Pulse Width Modulation	0 - 100% Frequency range: 20 Hz to 2 kHz max	

RELAY (125Vac Form C)

Max Voltage Rating	125 Vac / 30 Vdc
Max Switching Current	1 A
Vac Rating	125 Vac / 0.3 A
Vdc Rating	30 Vdc / 1 A

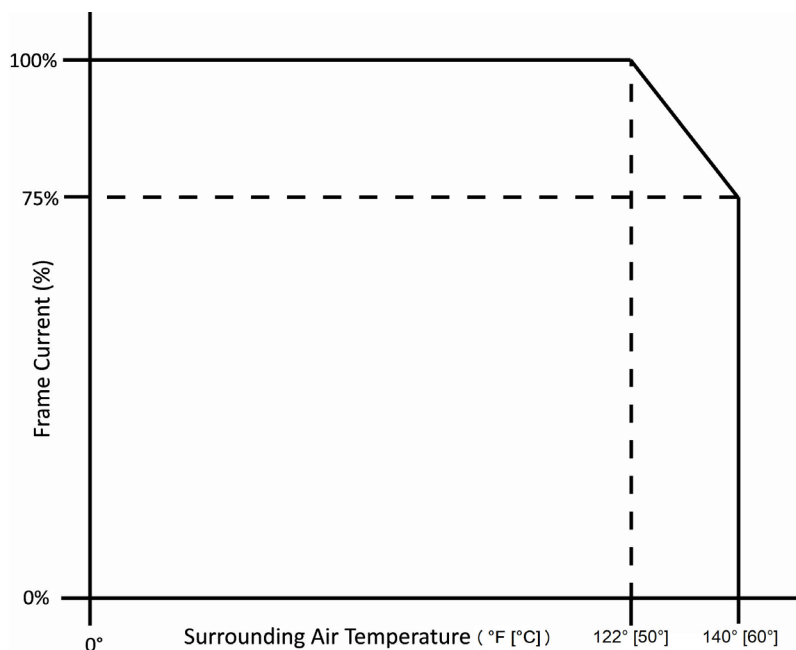
SPECIFICATIONS, CONTINUED

RELIABILITY

Mean Time Between Failure (MTBF) | Designed for 50,000 Hours

TEMPERATURE DERATING

Surrounding Air Temperature effect on the Controller



PERFORMANCE

	Standard	High Performance Option
Setpoint Resolution	10k	10k or 64k
Internal Control Loop Resolution	16k	64k
Output Resolution	12k @ 50 Hz, 10k @ 60 Hz	50k @ 50 Hz, 42k @ 60 Hz
Response Time	Adjustable from 50 ms to 2 s	Adjustable from 50 ms to 2 s
Accuracy (Full Conduction)		
Voltage	3.0% of frame rating	0.5% of frame rating
Current	3.0% of frame rating	0.5% of frame rating
Power	3.0% of frame rating	1.0% of frame rating
Output Linearity	4.0% from (5 - 100%) output range	1.0% from (5 - 100%) output range
Accuracy	(+10% / -15%) line voltage change will result in a max output change of 0.5% from (5 - 100%) output range	+10% to -15% line voltage change will result in a max output change of 0.05% from (5 - 100%) output range
Temperature Drift	Output shall not change greater than 0.5% per degree C max over the operating temperature range from (5 - 100%) output range	Output shall not change greater than 0.2% per degree C max over the operating temperature range from (5 - 100%) output range

ACCESSORIES

CCI Link Communications

MicroFUSION features CCI Link™, a proprietary deterministic digital bus that enables multiple CONTROL CONCEPTS devices to communicate with each other.

0.5 ft [0.15 m] cable	0058003 - 0050 - 005
1 ft [0.30 m] cable	0058003 - 0050 - 01
3 ft [0.91 m] cable	0058003 - 0050 - 03
5 ft [1.52 m] cable:	0058003 - 0050 - 05
15 ft [4.57 m] cable:	0058003 - 0050 - 15
25 ft [7.62 m] cable:	00580003 - 0050 - 25



REMOTE DISPLAY

When the Remote Display is panel mounted it's easy to view and customize limits, setpoints, and alarm conditions via the 2 Line, 16 character text display. UL-type 1 & 12 ratings, IP65

5 ft [1.52 m] cable:	SMAUFUSION - RDK5
15 ft [4.57 m] cable:	SMAUFUSION - RDK15
25 ft [7.62 m] cable:	SMAUFUSION - RDK25



DIN RAIL POWER SUPPLIES

24 W	0091011 - 0024 - 1
60 W	0091011 - 0060 - 1
96 W	0091011 - 0096 - 1
120 W	0091011 - 0120 - 1

USB CABLE

15 ft [4.92 m], Micro USB cable: 0058006-0000-15

OTHER ACCESSORIES

Contact our sales department for fuse sizing and other accessory needs via website, e-mail, or phone.

MODEL NUMBERS



Board Type

- SX = Standard
- HX = High performance

Load Config

- 4DY = 3 phase, 2 leg
- 6DY = 3 phase, Delta / Wye
- 64Y = 3 phase, 4 Wire Wye
- 6ID = 3 phase, Inside Delta

Frame Style

- G = 8 A (Panel Mount / DIN Rail)
- A = 16 - 32 A (Panel Mount / DIN Rail)
- J = 50 - 160 A (Panel Mount)
- K = 200 - 240 A (Panel Mount)
- L = 320 - 400 A (Panel Mount)

Option Board

- ∅ = None
- I = EtherNet/IP
- E = Modbus TCP
- N = PROFINET

Amp Size

- 8 = 8 A
- 16 = 16 A
- 32 = 32 A
- 50 = 50 A
- 80 = 80 A
- 100 = 100 A
- 130 = 130 A
- 160 = 160 A
- 200 = 200 A
- 240 = 240 A
- 320 = 320 A
- 400 = 400 A

Performance

- Available with SX:
 - S = Standard
 - L = Adjustable Current Limit and Current Feedback
- Available with HX:
 - L = Adjustable Current Limit, Current Feedback, Load Voltage Feedback, & Voltage Limit
 - P = High Performance (Includes Load Voltage Feedback, True RMS Power Control, Current Limit, Power Limit, and High Resolution Control Loop)

I/O

- ∅ = None ³
- 1 = Alarm Relay (1x Form C)
- 2 = General Purpose Input, Analog Input Channel 2, Pulse Width Modulation Input ³
- 3 = Alarm Relay and General Purpose Input, Analog Input Channel 2, Pulse Width Modulation
- 4 = Isolated I/O ³
- 5 = Isolated I/O with Alarm Relay
- 6 = Isolated I/O with Gen. Purpose Input, Analog Input Channel 2, Pulse Width Modulation ³
- 7 = Isolated I/O with Alarm Relay and Gen. Purpose Input, Analog Input Channel 2 / Pulse Width Modulation

Retransmits

- ∅ = None
- R = Retransmits ² (Two 16-bit analog retransmits for voltage, load resistance, current, power)

Sync

- ∅ = None
- S = Digital SYNC-GUARD™

Zero Cross Transformer Mode (ZCT)

- ∅ = None
- Z = Zero Cross Transformer Mode ²

¹ Contact factory for availability
² Only available with HX type board
³ Only applicable for SX; Alarm relay is standard for HX

CONTROL CONCEPTS has a worldwide presence in more than 51 countries

- | | | | | |
|------------|-----------|-----------------|--------------|----------------|
| Algeria | Finland | Japan | Portugal | Taiwan |
| Australia | France | Latvia | Romania | Thailand |
| Austria | Germany | Lithuania | Russia | Turkey |
| Belgium | Greece | Malaysia | Singapore | United Kingdom |
| Bulgaria | Hong Kong | Mexico | Slovakia | United States |
| Canada | Hungary | Morocco | Slovenia | Ukraine |
| China | India | The Netherlands | South Korea | Vietnam |
| Czech Rep. | Indonesia | New Zealand | South Africa | |
| Denmark | Ireland | Norway | Spain | |
| Egypt | Israel | Philippines | Sweden | |
| Estonia | Italy | Poland | Switzerland | |



Sales department for North & South America:
Europe / Africa / Asia / Pacific

Tel. +1(952) 474 - 6200 or +1(800) 765 - 2799
Web: www.ccipower.com
Email: info@ccipower.com



Sales department for India :

Tel. + 091 - 44249 60315
Web: www.pmacontrols.in
Email: info@pmacontrols.in



8077 Century Blvd
Chanhassen, MN 55317 USA

www.ccipower.com

Information furnished by CONTROL CONCEPTS INC. is believed to be accurate and reliable. However, no responsibility is assumed by CONTROL CONCEPTS INC. for its use. CONTROL CONCEPTS INC. Reserves the right to change the design or operation of the equipment described herein and any associated controller products without notice. CONTROL CONCEPTS INC. also assumes no responsibility for any errors that may appear in this document. Information in this document is subject to change without notice.