

TOUCHSAFE FUSEKITS

Blown fuses can throw factory operations into a worst-case scenario. That's why we offer next-day shipping and maintain a large inventory of Class T fusing for SCR power controllers.

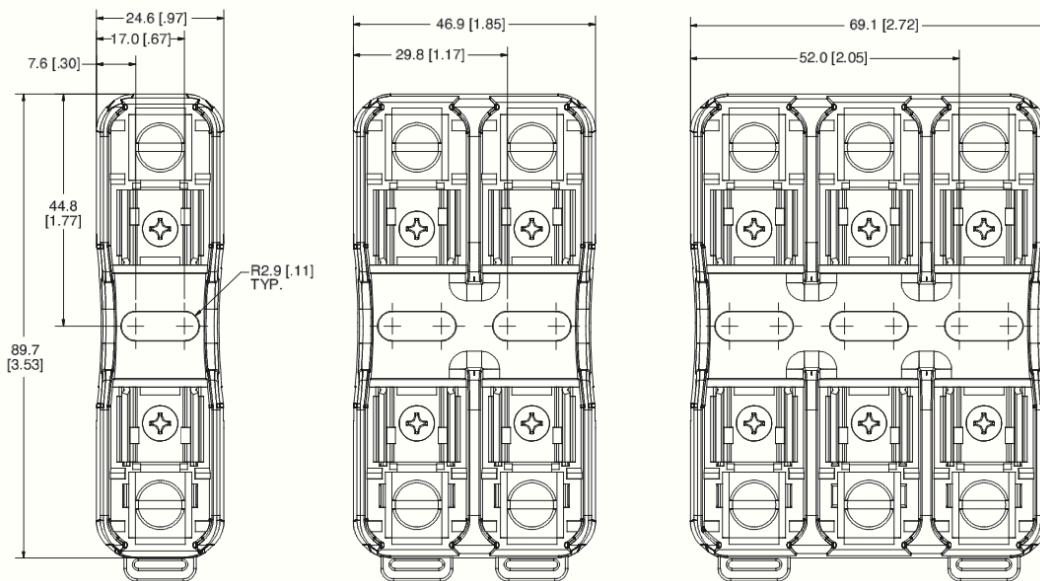
Touchsafe Fusekits provide increased safety and efficient assembly.

- Up to 1200 Amps
- 600 VAC
- Current Limiting
- Class T, high speed, branch-rated fuses

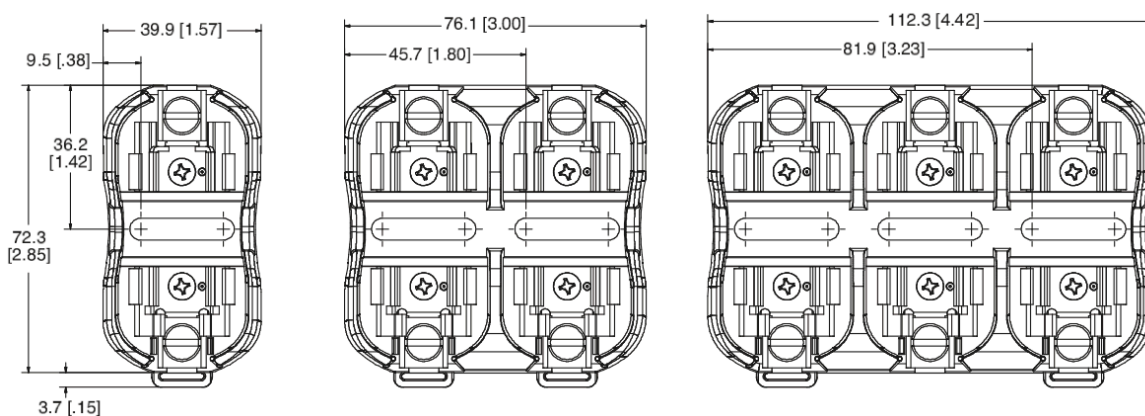


FUSE BLOCK DIMENSIONS

10 - 30 Amp

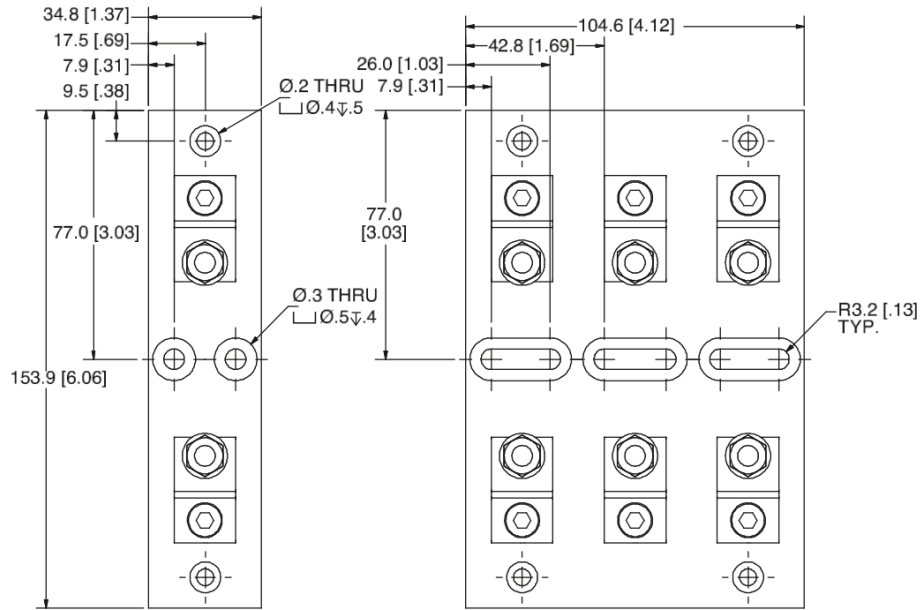


35 - 60 Amp

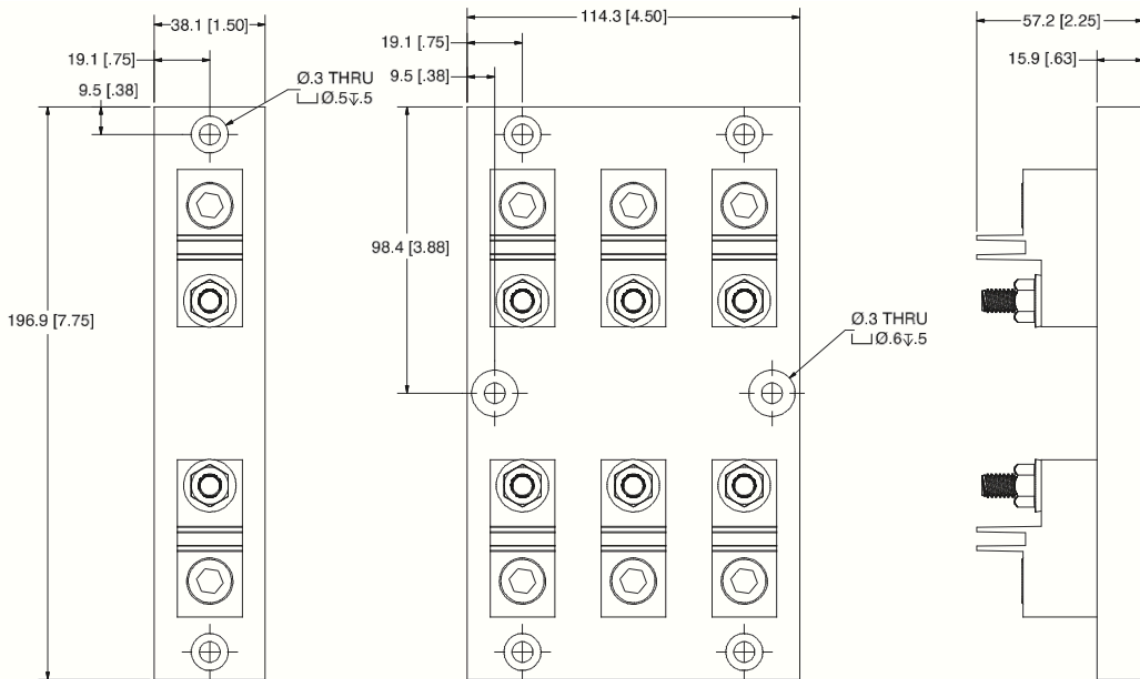


FUSE BLOCK DIMENSIONS, CONTINUED

70 - 100 Amp

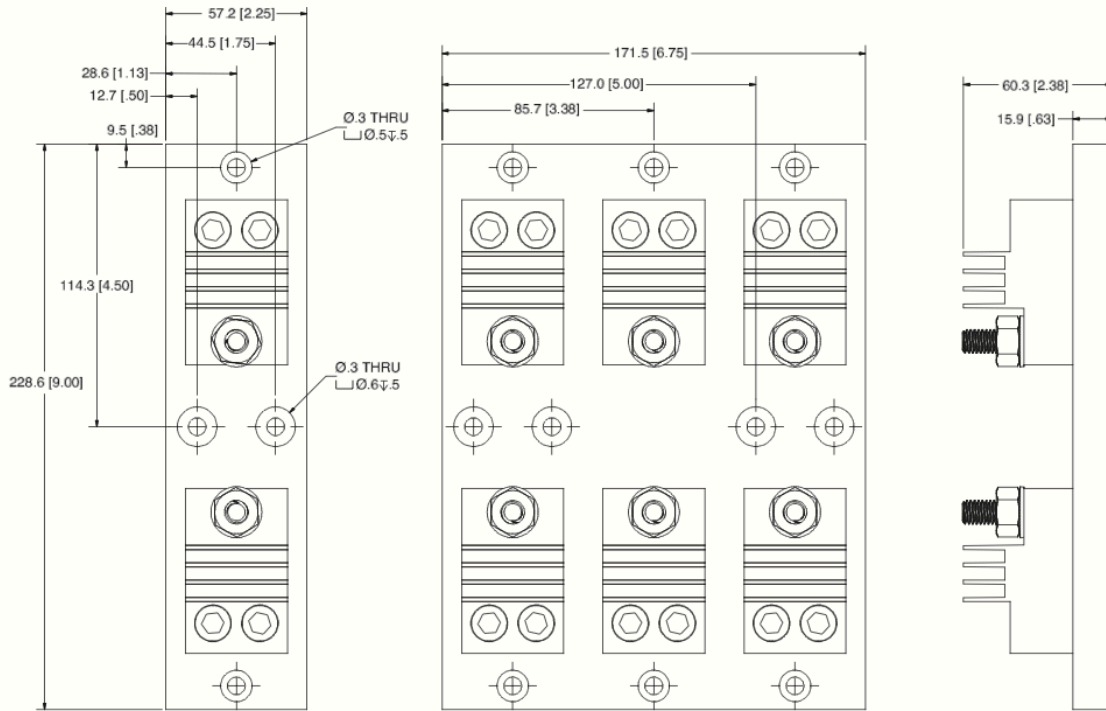


110 - 200 Amp

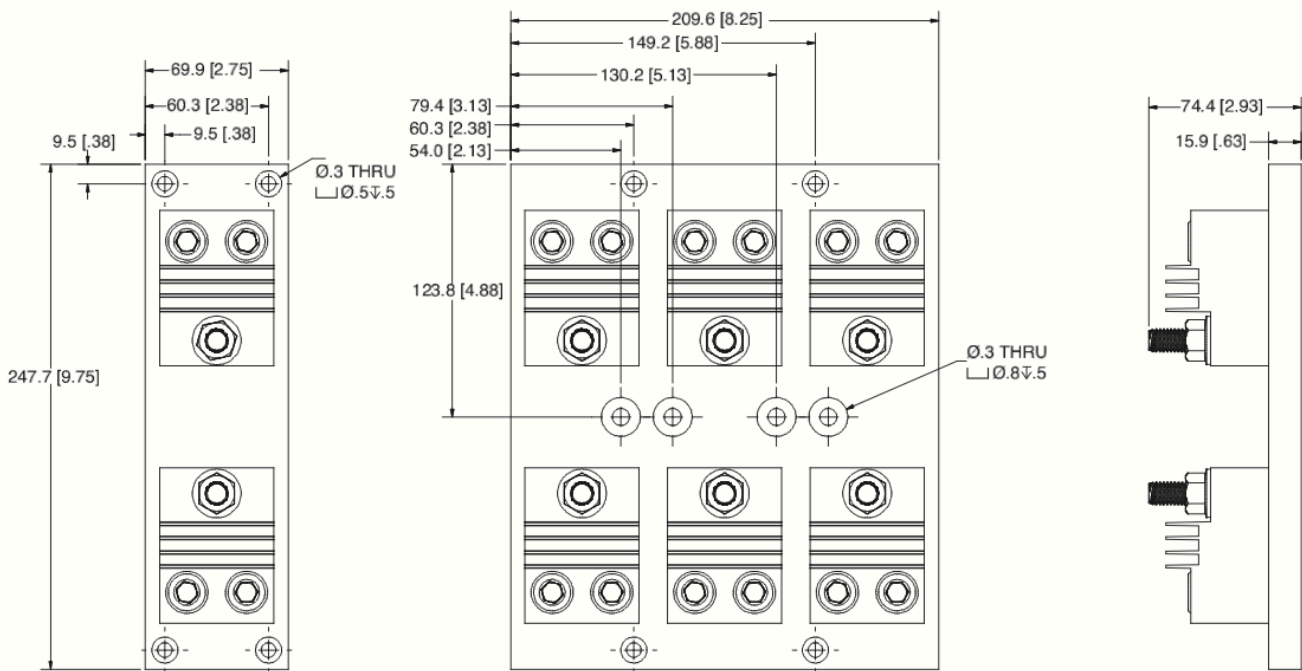


FUSE BLOCK DIMENSIONS, CONTINUED

225 - 400 Amp



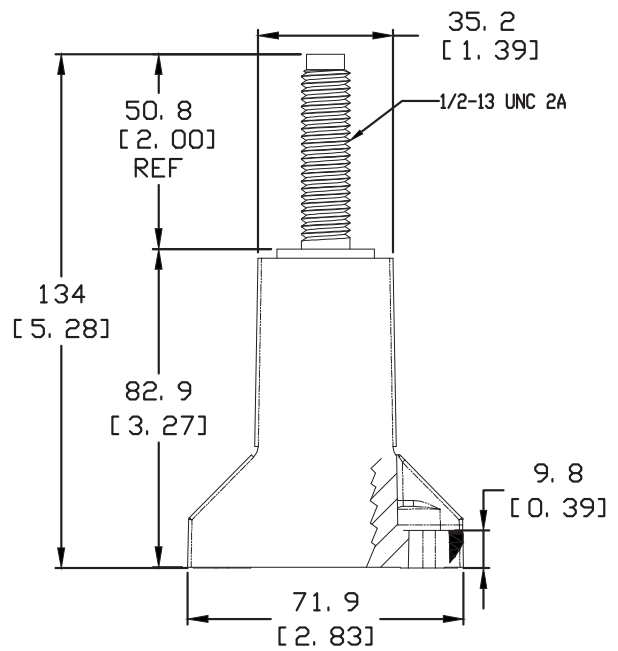
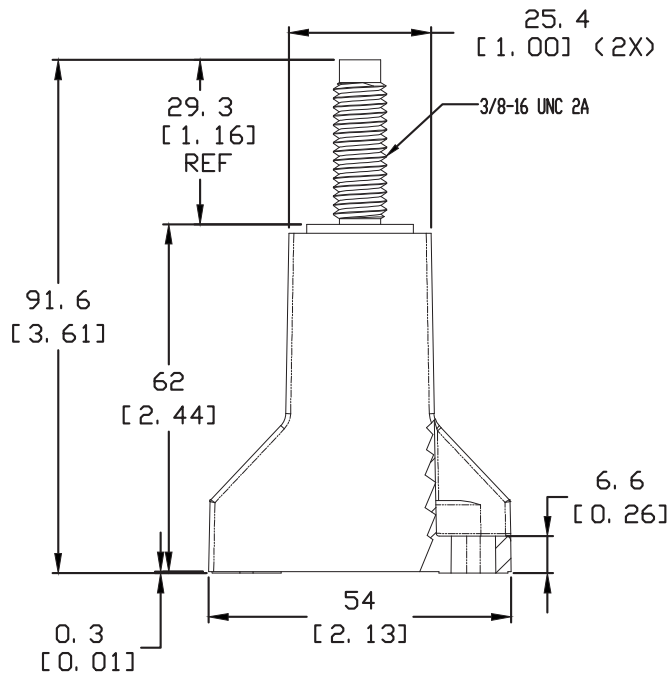
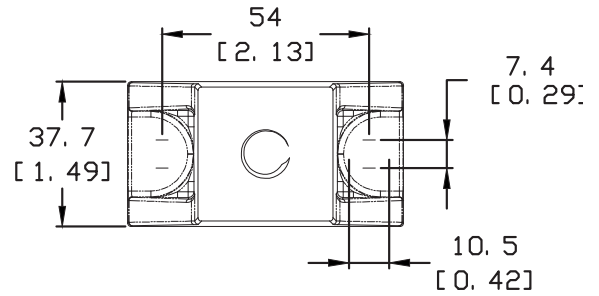
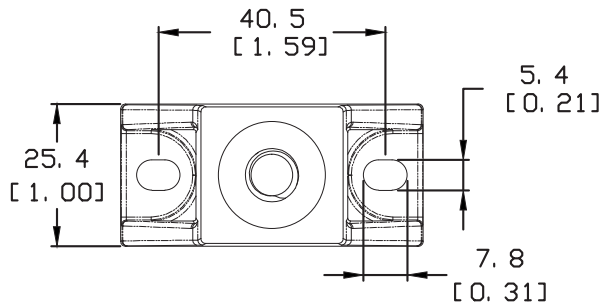
450 - 600 Amp



FUSE BLOCK DIMENSIONS, CONTINUED

700 - 800 Amp

900 - 1200 Amp



Note:

700 to 1200 Amp Fuse blocks require 2 mounts per fuse for installation

PRODUCT NUMBERS

Fuseskits and Fusekit Components								
Amp	Fuse	Touchsafe Fuse Cover	1 Pole Fuseblock	2 Pole Fuseblock	3 Pole Fuseblock	1 Pole Assy	2 Pole Assy	3 Pole Assy
						1 x Fuse, 1 x Block, 1 x Cover	2 x Fuse, 1 x Block, 2 x Cover	3 x Fuse, 1 x Block, 3 x Cover
CCI P/N								
10	0042110-0460-310	0043901-0460-330	0043611-0460-330	0043612-0460-330	0043613-0460-330	SFKTS61T10	SFKTS62T10	SFKTS63T10
15	0042110-0460-315					SFKTS61T15	SFKTS62T15	SFKTS63T15
20	0042110-0460-320					SFKTS61T20	SFKTS62T20	SFKTS63T20
25	0042110-0460-325					SFKTS61T25	SFKTS62T25	SFKTS63T25
30	0042110-0460-330					SFKTS61T30	SFKTS62T30	SFKTS63T30
35	0042110-0460-335	0043901-0460-360	0043611-0460-360	0043612-0460-360	0043613-0460-360	SFKTS61T35	SFKTS62T35	SFKTS63T35
40	0042110-0460-340					SFKTS61T40	SFKTS62T40	SFKTS63T40
45	0042110-0460-345					SFKTS61T45	SFKTS62T45	SFKTS63T45
50	0042110-0460-350					SFKTS61T50	SFKTS62T50	SFKTS63T50
60	0042110-0460-360					SFKTS61T60	SFKTS62T60	SFKTS63T60
70	0042110-0460-370	0043901-0460-410	0043611-0460-410		0043613-0460-410	SFKTS61T70		SFKTS63T70
80	0042110-0460-380					SFKTS61T80		SFKTS63T80
90	0042110-0460-390					SFKTS61T90		SFKTS63T90
100	0042110-0460-410					SFKTS61T100		SFKTS63T100
110	0042110-0460-411	0043901-0460-420	0043611-0460-420		0043613-0460-420	SFKTS61T110		SFKTS63T110
125	0042110-0460-412					SFKTS61T125		SFKTS63T125
150	0042110-0460-415					SFKTS61T150		SFKTS63T150
175	0042110-0460-417					SFKTS61T175		SFKTS63T175
200	0042110-0460-420					SFKTS61T200		SFKTS63T200
225	0042110-0460-422	0043901-0460-440	0043611-0460-440		0043613-0460-440	SFKTS61T225		SFKTS63T225
250	0042110-0460-425					SFKTS61T250		SFKTS63T250
300	0042110-0460-430					SFKTS61T300		SFKTS63T300
350	0042110-0460-435					SFKTS61T350		SFKTS63T350
400	0042110-0460-440					SFKTS61T400		SFKTS63T400
450	0042110-0460-445	0043901-0460-460	0043611-0460-460		0043613-0460-460	SFKTS61T450		SFKTS63T450
500	0042110-0460-450					SFKTS61T500		SFKTS63T500
600	0042110-0460-460					SFKTS61T600		SFKTS63T600
700	0042110-0460-470		0043292-0510-480					
800	0042110-0460-480		(2 required)					
900	0042110-0460-490		0043291-0510-512 (2 required)					
1000	0042110-0460-510							
1100	0042110-0460-511							
1200	0042110-0460-512							

Control Concepts also stocks individual fuses over 1200 Amps. Fuses are bus bar mounted. Anticipate up to 2 business day lead time



Individual Fuses over 1200 Amps

1350	0042270-0460-5135	KTU-1350 (Class L)
1500	0042270-0460-515	KTU-1500 (Class L)

CONTACT/ORDERING INFORMATION

TEL: (952) 474-6200 | (800) 765-2799
 FAX: (952) 474-6070 | www.cciipower.com
 8077 Century Blvd. Chanhassen, MN 55317, USA

