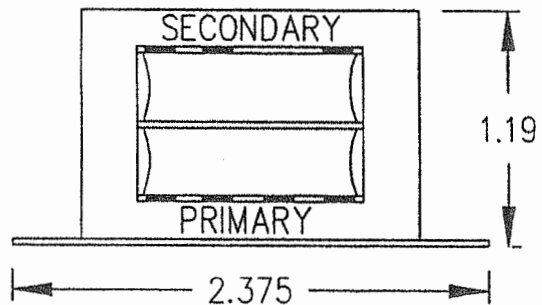
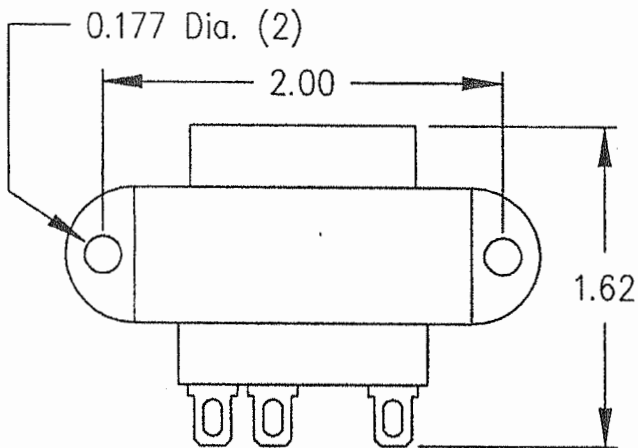
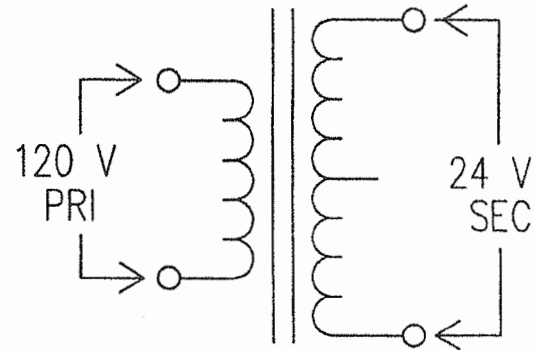


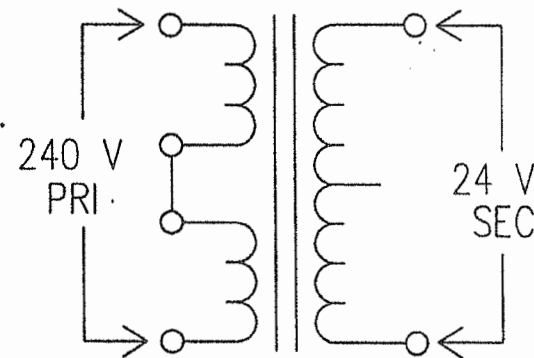
PART No.	PRI.	VOLTS	SEC.	
14020-0006-1024	120		24	STF-T1
14024-0006-3024	240		24	STF-T2



14020-0006-0024  
120V PRI. 24V SEC.



14024-0006-3024  
240V PRI. 24V SEC.



<b>CONTROL CONCEPTS INC.</b>			
6 VA TRANSFORMER INSTALLATION DRAWING			
DRAWN BY	SGM	SCALE	NONE
CHK'D BY		DATE	7/19/93
TRACED		APP'D	
			MATERIAL
			DRAWING NO.
			AS1450